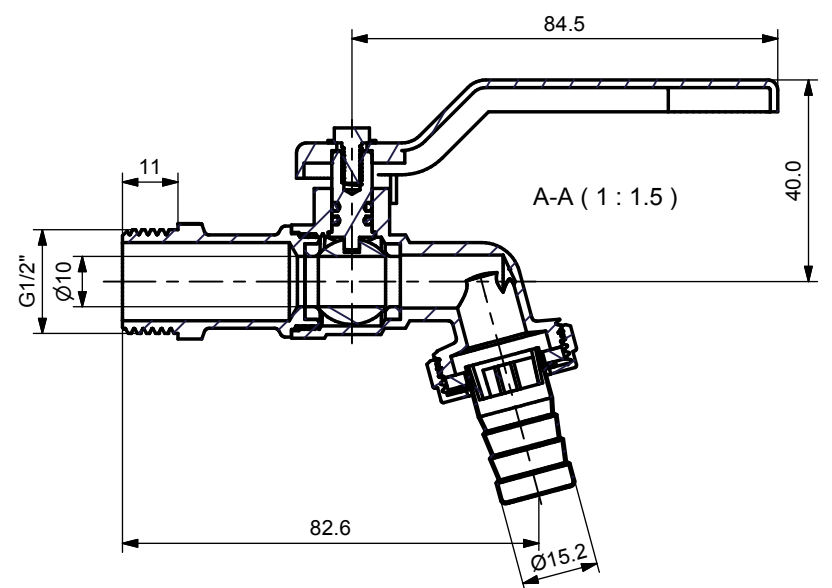
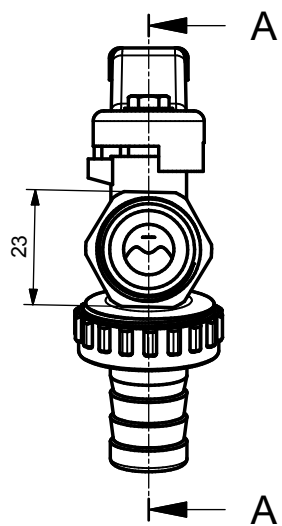
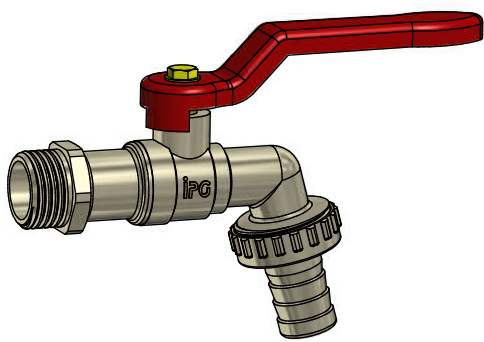


| BOM | | | | | | |
|-----|------------------|--------------------|-----|--------|----------|------|
| NO. | P/N | Name | Pcs | Weight | Material | Note |
| 1 | 89 000 02 Body | G1/2" Body | 1 | 63.2 g | CW617N | |
| 2 | 15x10x3 MFZ | 15x10x3 seat | 2 | 0.6 g | PTFE | |
| 3 | Stem | Stem | 1 | 6.1 g | CW617N | |
| 4 | 8x1.6 Oring | 8x1.6 Ori ng | 2 | 0.0 g | EPDM | |
| 5 | 20x12x3Ball | 20x12x3 Ball | 1 | 10.9 g | CW617N | |
| 6 | 89 000 02Bonnet | G1/2" Bonnet | 1 | 42.1 g | CW617N | |
| 7 | Handle | 3/8;1/2;3/4 Handle | 1 | 31.4 g | Q235 | red |
| 8 | M4xH8 screw | M4x8 screw | 1 | 1.6 g | Q235 | |
| 9 | CHECHIA | CHECHIA | 1 | 11.5 g | CW617N | |
| 10 | 24x16x2.5 Gasket | 24x16x2.5 Gasket | 1 | 0.6 g | EPDM | |
| 11 | Pipe | 1/2" Pipe | 1 | 4.1 g | CW617N | |
| 12 | 15mm Divertor | 15mm Divertor | 1 | 0.5 g | PC | |

-20°C bis 120°C PN20



DRAW.:
CHK.:
APVD.:

IPG GmbH

Material: CW617N
Engineering Spec.:
Scale:
Date: Design State: Finish:

NOTICE: These drawing and specifications are the property of HongJia Vale and may not be reproduced, copied or used without written permission.

0-6 = ±0.1
6-30 = ±0.2
30-120 = ±0.3
120-400 = ±0.5

Description: Auslauf-Kugelhahn 1/2
Part No: 89 000 02
Sheet 1 / 1