

Technical data sheet

Article Description

Rocker Switch Type 3652/2-pole

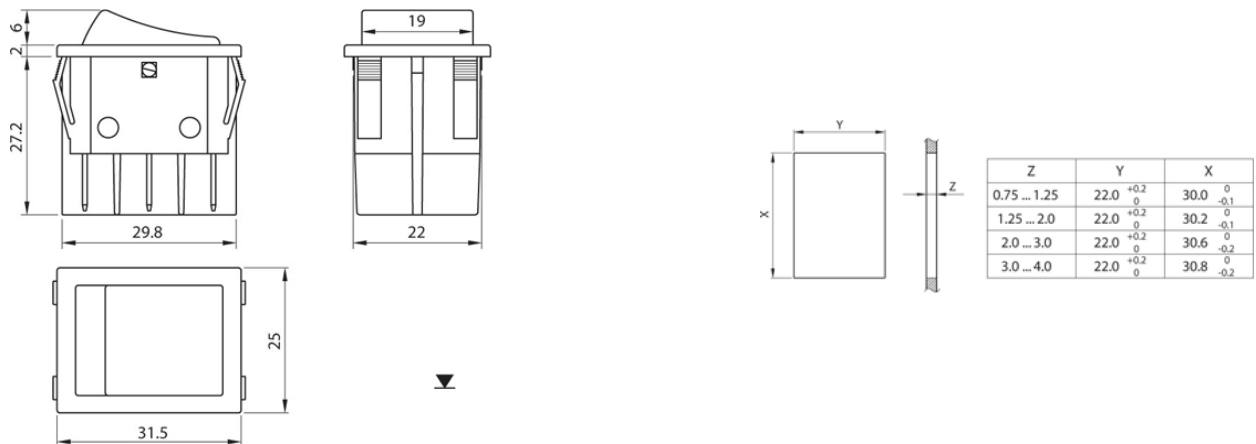
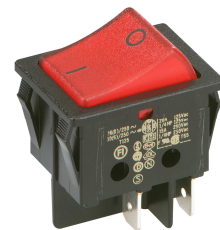
16 (8) A, 250 V, 2-pole, on-off switch, T 125 ° C
illuminated

snap-in mounting cut-out 22 x 30 mm

faston 6,3 mm x 0,8 mm

rocker printing 0 - I

Article Picture



<i>inter BÄR-item no.</i>	<i>housing</i>	<i>rocker</i>
3652-215.22	white	red
3652-250.22	black	green
3652-251.22	black	yellow
3652-295.22	black	red