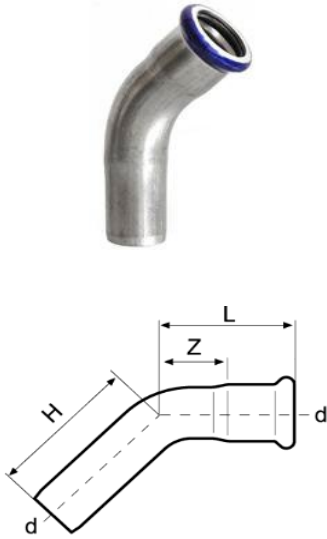


Curva 45° MF

Bend 45° with plain end

Einsteckbogen 45°

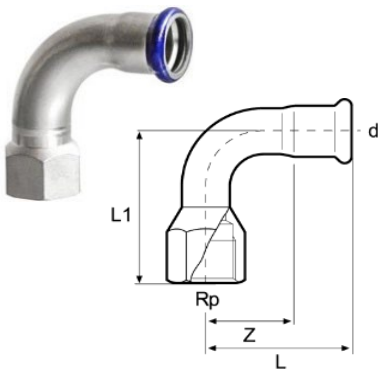


Code	d	Radius	L	H	Z		MOQ
S23ZB-LBP	12	1,2	32	42	14	34	100
S23ZC-LBP	15	1,2	32	41	11	43	100
S23ZD-LBP	18	1,2	31	35	10	49	100
S23ZE-LBP	22	1,2	38	46	15	71	100
S23ZF-LBP	28	1,2	42	51	18	99	50
S23ZG-LBP	35	1,2	49	55	22	140	50
S23ZH-LBP	42	1,2	57	66	25	199	20
S23ZJ-LBP	54	1,2	70	76	33	302	20
S23ZK	76,1	1,2	100	115	45	847	5
S23ZL	88,9	1,2	112	136	49	1.151	5
S23ZM	108	1,2	139	158	62	1.672	5
S23AC-LBP	15	1,5	36	43	15	48	100
S23AD-LBP	18	1,5	38	43	17	58	100
S23AE-LBP	22	1,5	43	50	20	81	100
S23AF-LBP	28	1,5	48	57	24	116	50
S23AG-LBP	35	1,5	59	66	32	166	50
S23AH-LBP	42	1,5	77	86	45	258	20
S23AJ-LBP	54	1,5	88	97	51	376	20

Adattatore 90° - filetto femmina

Bend adaptor 90° with female thread

Übergangsbogen 90° I.G.

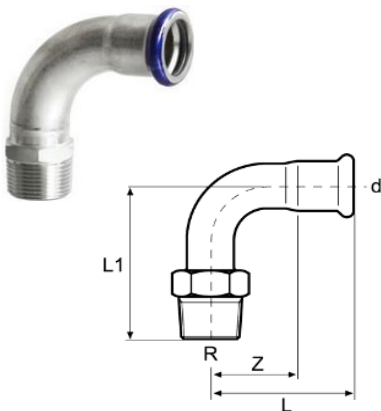


Code	d - Rp	L	L1	Z		MOQ
S82PC-LBP	15-Rp½	48	58	27	84	20
S82PD-LBP	18-Rp½	53	59	32	86	20
S82QE-LBP	22-Rp¾	61	68	38	136	20
S82RF-LBP	28-Rp1	72	80	48	198	20
S82SG-LBP	35-Rp1¼	87	94	60	312	15

Adattatore 90° - filetto maschio

Bend adaptor 90° with male thread

Übergangsbogen 90° A.G.



Code	d - R	L	L1	Z		MOQ
S83PC-LBP	15-R½	48	57	27	78	20
S83PD-LBP	18-R½	53	60	32	86	20
S83QE-LBP	22-R¾	61	68	38	127	20
S83RF-LBP	28-R1	72	81	48	205	20
S83SG-LBP	35-R1¼	87	93	60	302	15
S83TH-LBP	42-R1½	115	116	83	411	15
S83VJ-LBP	54-R2	142	143	105	716	15