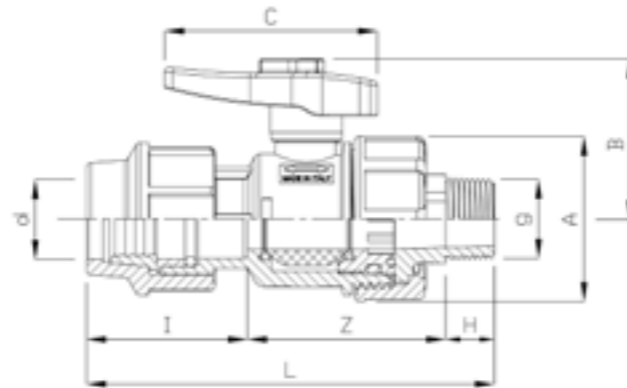


**CODE 1072**

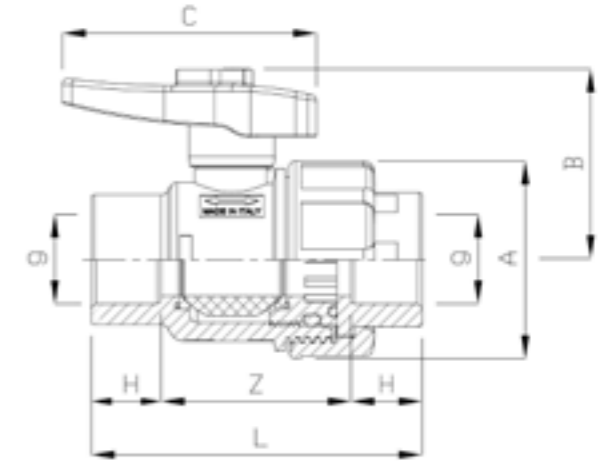
Compression ball valve male threaded - Druckkugelhahn Außengewinde - Компрессионный шаровой клапан с внешней резьбой



CODE	d [mm]	g [inch]	Z [mm]	L [mm]	I [mm]	H [mm]	A [mm]	B [mm]	C [mm]	PN [bar]
1072020002001	20	1/2"	63	133	54	16	50	51	68	16
1072025003001	25	3/4"	75	149	57	17	60	60	76	16
1072032004001	32	1"	82	166	64	20	68	67	89	16
1072040005001	40	1"1/4	103	208	82	23	80	77	100	16
1072050006001	50	1"1/2	113	230	94	23	95	88	116	16
1072064007001	63	2"	133	273	113	27	116	100	127	16

**CODE 1073**

Ball valve female female threaded - Kugelhahn Gewinde Innen/Innen - Шаровой клапан с внутренней резьбой



CODE	gxg [inch]	Z [mm]	L [mm]	H [mm]	A [mm]	B [mm]	C [mm]	PN [bar]
1073002002001	1/2"x1/2"	55	89	17	50	51	68	16
1073003003001	3/4"x3/4"	63	99	18	60	60	76	16
1073004004001	1"x1"	68	110	21	68	67	89	16
1073005005001	*1"1/4x1"1/4	80	128	24	80	77	100	16
1073006006001	*1"1/2x1"1/2	94	142	24	95	88	116	16
1073007007001	*2"x2"	113	167	27	116	100	127	16

\*The threaded ends are reinforced by a stainless steel ring  
 \*Die Gewindemündungen werden durch einen Edelstahlring verstärkt  
 \*Резьбовые входы укреплены кольцом из н/ж стали