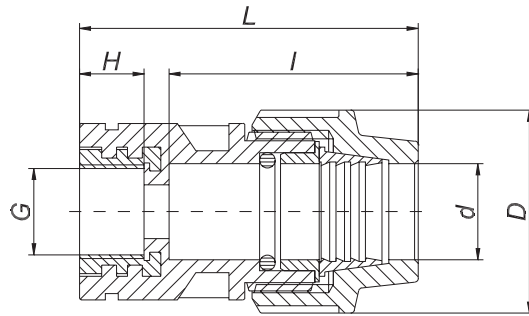
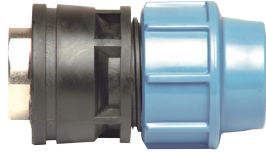


## CODE 1036



Female adaptor with brass threaded insert - Anschlussverschraubung mit innengewinde messing  
Соединение с внутренней резьбой из латуни

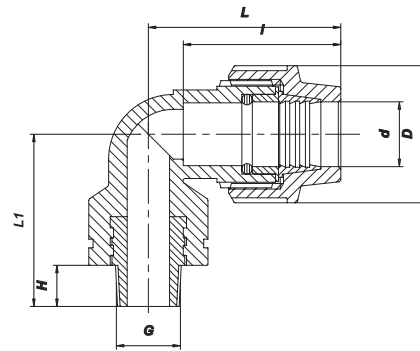


CODE	dxG [mm]	D [mm]	L [mm]	I [mm]	H [mm]	PN [bar]
1036020002001	20x1/2"	47	96	58	14	16
1036025003001	25x3/4"	57	105	64	15	16
1036032004001	32x1"	66	123	66	18	16
1036040005001	40x1 1/4"	78	118	82	20	16
1036050006001	50x1 1/2"	96	137	99	23	16
1036063007001	63x2"	115	160	121	24	16

## CODE 1039



90° elbow male with brass threaded insert - Winkel 90° mit aussengewinde messing - Колено 90° с наружной резьбой из латуни



CODE	dxG [mm]	D [mm]	L [mm]	I [mm]	L1 [mm]	H [mm]	PN [bar]
1039020002001	20x1/2"	46	68	54	64	14,5	16
1039020003001	20x3/4"	46	68	54	66	16	16
1039025003001	25x3/4"	55	80	64	66	16	16
1039032004001	32x1"	62	93	71	86	29	16
1039040005001	40x1 1/4"	78	109	82	87	23	16
1039050006001	50x1 1/2"	96	122	91	87	23	16
1039063007001	63x2"	115	140	107	91	27	16