

# Bemaßung Tempergussfittings

Stand 04.03.15

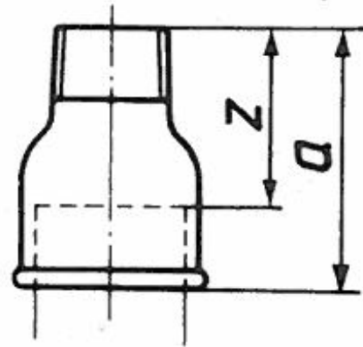
## 246 – ISO/EN M4

a

z

DN 8 x 6 (1/4"x1/8")	
DN 10 x 8 (3/8"x1/4")	35
DN 15 x 8 (1/2"x1/4")	43
DN 15 x 10 (1/2"x3/8")	43
DN 20 x 10 (3/4"x3/8")	48
DN 20 x 15 (3/4"x1/2")	48
DN 25 x 15 (1"x1/2")	55
DN 25 x 20 (1"x3/4")	55
DN 32 x 20 (1 1/4"x3/4")	60
DN 32 x 25 (1 1/4"x1")	60
DN 40 x 20 (1 1/2"x3/4")	
DN 40 x 25 (1 1/2"x1")	63
DN 40 x 32 (1 1/2"x1 1/4")	63
DN 50 x 25 (2"x1")	
DN 50 x 32 (2"x1 1/4")	70
DN 50 x 40 (2"x1 1/2")	70

25
30
30
33
33
38
38
41
41
44
44
46
46



## 270 – ISO/EN M2

a

z

DN 6 1/8"	25
DN 8 1/4"	27
DN 10 3/8"	30
DN 15 1/2"	36
DN 20 3/4"	39
DN 25 1"	45
DN 32 1 1/4"	50
DN 40 1 1/2"	55
DN 50 2"	65
DN 65 2 1/2"	74
DN 80 3"	80
DN 100 4"	94

11
7
10
10
9
11
12
17
17
20
20
22

