

Bemaßung Tempergussfittings

Stand 04.03.15

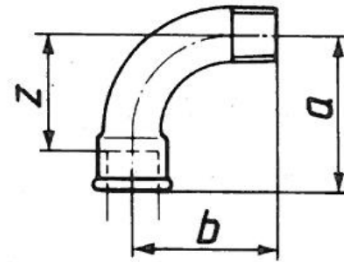
1-ISO/EN G4

a	b
---	---

z

DN 6	1/8"	35	32
DN 8	1/4"	40	36
DN 10	3/8"	48	42
DN 15	1/2"	55	48
DN 20	3/4"	69	60
DN 25	1"	85	75
DN 32	1 1/4"	105	95
DN 40	1 1/2"	116	105
DN 50	2"	140	130
DN 65	2 1/2"	176	165
DN 80	3"	205	190
DN 100	4"	260	245

28
30
38
42
54
88
86
97
116
149
175
224



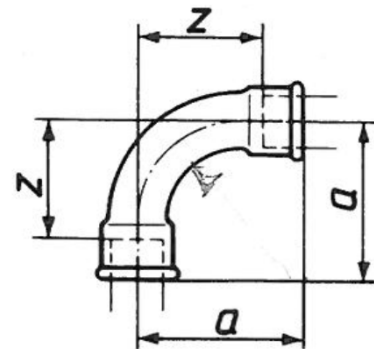
2-ISO/EN G1

a

z

DN 8	1/4"	40
DN 10	3/8"	48
DN 15	1/2"	55
DN 20	3/4"	69
DN 25	1"	85
DN 32	1 1/4"	105
DN 40	1 1/2"	116
DN 50	2"	140
DN 65	2 1/2"	176
DN 80	3"	205
DN 100	4"	260

30
38
42
54
88
86
97
116
149
175
224



3-ISO/EN G8

b

DN 10	3/8"	42
DN 15	1/2"	48
DN 20	3/4"	60
DN 25	1"	75
DN 32	1 1/4"	95
DN 40	1 1/2"	105
DN 50	2"	130

