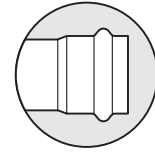




CERTIFICAZIONI INTERNAZIONALI
INTERNATIONAL ACCREDITATIONS
INTERNATIONALE ZULASSUNGEN



V

Update: 01/2023



ACCIAIO INOX AISI 316L
STAINLESS STEEL AISI 316L
EDELSTAHL AISI 316L



Germany



Switzerland



Norway

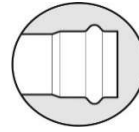


ACCIAIO AL CARBONIO
CARBON STEEL
C-STAHL



Sweden



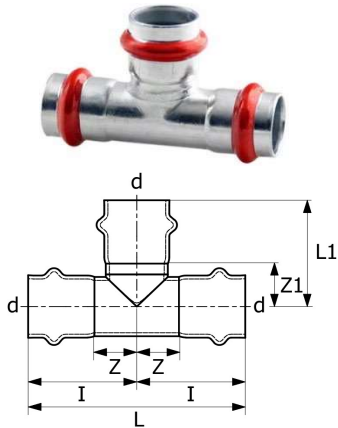


RISE

Tee

T-piece equal

T-Stück

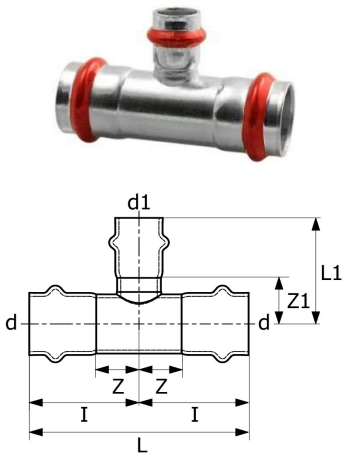


Code	d	L	L1	Z	Z1	I			MOQ
C40ABVI-LBP	12	64	32	14	14	32	44	20	200
C40ACVI-LBP	15	74	35	16	14	37	68	20	200
C40ADVI-LBP	18	76	38	17	17	38	80	20	200
C40AEVI-LBP	22	85	41	20	18	43	109	20	200
C40AFVI-LBP	28	90	45	21	21	45	140	10	200
C40AGVI-LBP	35	106	54	26	27	53	199	8	160
C40AHVI-LBP	42	127	66	31	34	63	291	5	60
C40AJVI-LBP	54	141	77	34	40	71	405	4	60

Tee ridotto

T-piece reduced

Red.T-Stück



Code	d - d1 - d	L	L1	Z	Z1	I			MOQ
C41BCVI-LBP	15-12-15	74	33	16	15	37	62	20	100
C41BDVI-LBP	18-12-18	76	35	17	17	38	71	20	100
C41CDVI-LBP	18-15-18	76	37	17	16	38	77	20	200
C41BEVI-LBP	22-12-22	85	37	20	19	43	93	20	100
C41CEVI-LBP	22-15-22	85	39	20	18	43	99	20	200
C41DEVI-LBP	22-18-22	85	40	20	19	43	102	20	160
C41CFVI-LBP	28-15-28	90	43	21	22	45	124	10	180
C41DFVI-LBP	28-18-28	90	43	21	22	45	127	10	160
C41EFVI-LBP	28-22-28	90	45	21	22	45	134	10	180
C41CGVI-LBP	35-15-35	106	45	26	24	53	167	10	100
C41DGV-LBP	35-18-35	106	45	26	24	53	170	10	100
C41EGVI-LBP	35-22-35	106	48	26	25	53	177	10	100
C41FGVI-LBP	35-28-35	106	47	26	23	53	183	10	100
C41CHVI-LBP	42-15-42	127	49	31	28	63	236	10	60
C41DHVI-LBP	42-18-42	127	50	31	29	63	238	10	40
C41EHVI-LBP	42-22-42	127	52	31	29	63	245	5	60
C41FHVI-LBP	42-28-42	127	52	31	28	63	251	4	60
C41GHVI-LBP	42-35-42	127	57	31	30	63	266	5	60
C41CJVI-LBP	54-15-54	141	55	34	34	71	322	6	30
C41DJVI-LBP	54-18-54	141	57	34	36	71	326	6	30
C41EJVI-LBP	54-22-54	141	58	34	35	71	333	4	40
C41FJVI-LBP	54-28-54	141	58	34	34	71	339	4	40
C41GJVI-LBP	54-35-54	141	65	34	38	71	355	6	36
C41HJVI-LBP	54-42-54	141	74	34	42	71	380	4	40