

RR 701 cod. 500632



Straight female-female fitting with rotating nut.

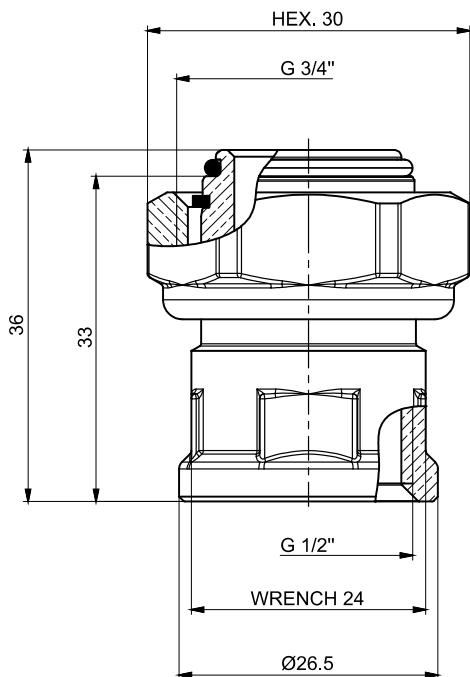
■ TECHNICAL FEATURES

Working fluid: water, water/glycol mixtures (max 30%)
Max working temperature: 120 °C
Max working pressure: 10 bar

■ MATERIALS

Fitting and nut: CW617N brass, natural surface
O-ring: peroxide EPDM

■ DIMENSIONS



I.V.A.R. S.p.A. reserves the right to make enhancements and changes to products and relative documentation at any time without prior notice. All rights reserved. Reproduction, even partial, is forbidden without prior permission by the copyright owner.