

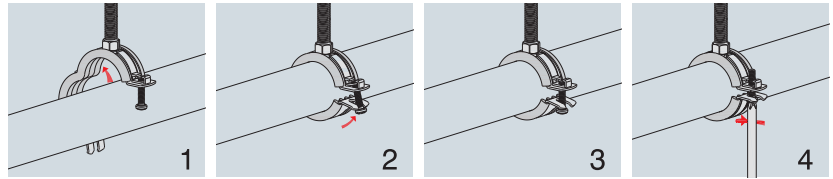
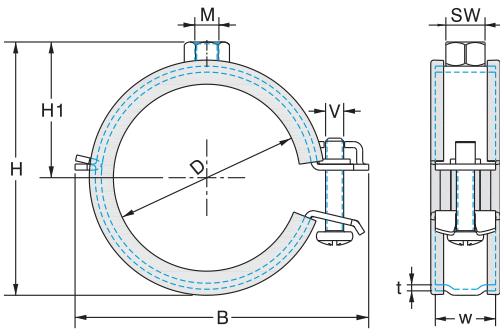
Hinged Pipe Clamp W/ Lining, Classic Type (1)

Advantages / Benefits

- Suitable for fixing of drinking and heating water pipe lines.
- **Snap closure permits a simple and fast installation with one hand.**
- Hinged pipe clamp can open wide for easy insertion of the pipe.
- Secure stop points on top of the screw prevent the screw from falling down during the installation works.
- Time and energy saving insertion of the pipe in overhead installation.
- Strong sound insulation insert for firm fit.

Technical Data

- Material: Steel 1.0330 acc. to DIN EN 10130
- Zinc plating: Electro zinc plated, 8–12 µm
- Sound absorption lining: EPDM; chlorine-free; silicone-free
- Noise reduction: According to DIN 4109
- Temperature resistance: -50°C to +110°C
- EPDM hardness: 45° +/- 5° Shore-A
- Fire behaviour: Class B2 according to DIN 4102



Article Number	Clamping Range D		Connecting Thread	Dimensions in mm				SW	V	Pack Size (pcs)	Max. Rec. Load (N)
	mm	inch		w x t	B	H	H1				
89 023 97	12-14	1/4	M8	20x1,2	44	33	20	13	M5x22	150	1000
89 023 98	15-19	3/8	M8	20x1,2	49	37	22	13	M5x22	150	1000
89 023 99	20-23	1/2	M8	20x1,2	52	41	24	13	M5x22	100	1000
89 024 00	25-28	3/4	M8	20x1,2	58	47	27	13	M5x25	100	1000
89 024 01	32-35	1	M8	20x1,2	66	53	30	13	M5x25	100	1000
89 024 02	40-43	1 1/4	M8	20x1,2	72	61	34	13	M5x25	50	1000
89 024 03	44-49	1 1/2	M8	20x1,2	79	67	37	13	M5x25	50	1000
89 024 04	50-55	-	M8	20x1,5	87	75	41	13	M5x30	50	1200
89 024 05	57-61	2	M8	20x1,5	95	81	44	13	M5x30	50	1200