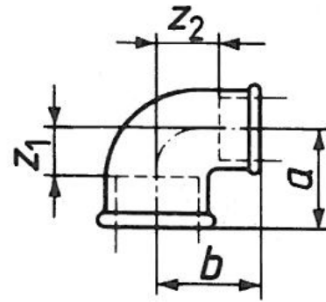


# Bemaßung Tempergussfittings

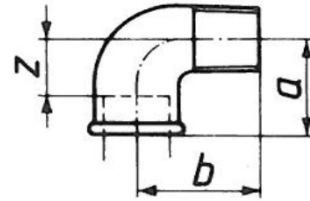
Stand 04.03.15

	a	b	z1	z2
DN 10 x DN 8 3/8x1/4"	23	23	13	13
DN 15 x DN 10 1/2x3/8"	26	26	13	16
DN 20 x DN 10 3/4x3/8"	28	28	13	18
DN 20 x DN 15 3/4x1/2"	30	31	15	18
DN 25 x DN 15 1x1/2"	32	34	15	21
DN 25 x DN 20 1x3/4"	35	36	18	21
DN 32 x DN 20 1 1/4"x3/4"	36	41	14	26
DN 32 x DN 25 1 1/4"x1"	40	42	21	25
DN 40 x DN 25 1 1/2"x1"	42	46	23	29
DN 40 x DN 32 1 1/2"x1 1/4"	46	48	27	29
DN 50 x DN 40 2x1 1/2"	52	55	28	36
DN 65 x DN 50 2 1/2x2"	61	66	34	42



## 92-ISO/EN A4

	a	b	z
DN 6 1/8"	19	25	12
DN 8 1/4"	21	28	11
DN 10 3/8"	25	32	15
DN 15 1/2"	28	37	15
DN 20 3/4"	33	43	18
DN 25 1"	38	52	21
DN 32 1 1/4"	45	60	26
DN 40 1 1/2"	50	65	31
DN 50 2"	58	74	34
DN 65 2 1/2"	69	88	42
DN 80 3"	78	98	48
DN 100 4"	96	118	60



## 95-ISO/EN UA1

	a	c	z1
DN 10 3/8"	52	25	15
DN 15 1/2"	58	28	15
DN 20 3/4"	62	33	18
DN 25 1"	72	38	21
DN 32 1 1/4"	82	45	26
DN 40 1 1/2"	90	50	31
DN 50 2"	100	58	34

