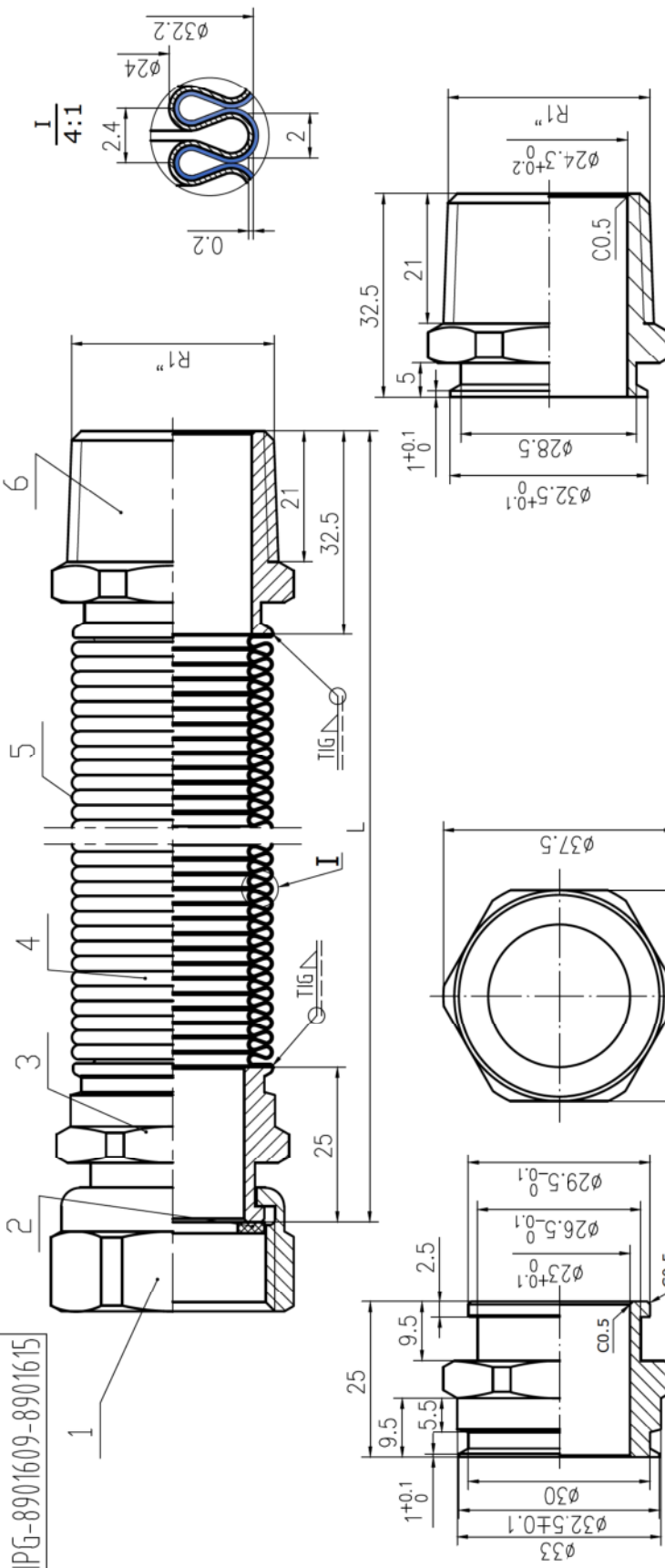


IPG-8901609-8901615



Technical requirement :

1. Annealing and compression after hose body with cover
2. weld joint to be uniform
3. No scratches or other defects on the surface of the hose
4. Wave uniformity
5. Working pressure 3Bar
6. Working temperature: Max 110°C

6	TZX-201-25-1	Male	1	ASTM304				
5	TZX-404-14-35	heat shrink tube	1	PE				
4	TZX-001-320-1	Metal hose	1	ASTM316L				φ32x0.2
3	TZX-308-25-1	Joint	1	ASTM304				
2	TZX-401-25-1	Gaskets	1	NBR				φ30.5xφ21x3
1	TZX-101-25-1	Nut	1	ASTM304				
No.	Code	Name	QTY.	Material	Remarks			

<b>IPG</b>		
designed	weight	scale
checked		1:5:1
approved	Sheet	
1"MF PVC COVER		
IPG-8901609-8901615		

CODE	8901609	8901610	8901611	8901612	8901613	8901614	8901615
L	75/91	110/160	200/320	260/450	500/900	750/1400	1000/1900