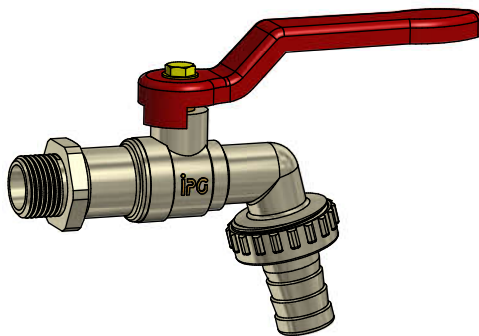
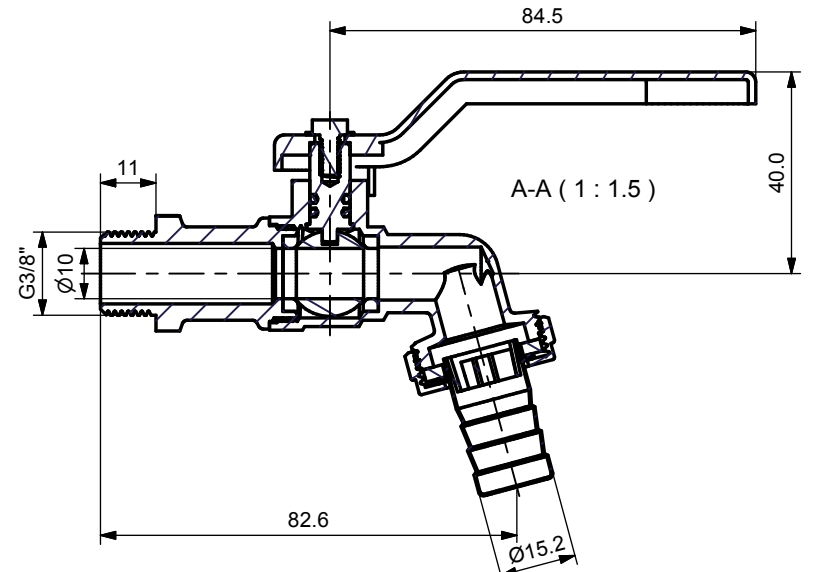
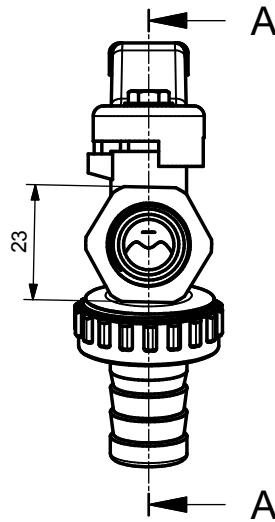


-20°C bis 120°C PN20



BOM						
NO.	P/N	Name	Pcs	Weight	Material	Note
1	89 007 35 Body	89 007 35 Body	1	63.2 g	CW617N	
2	15x10x3 MFZ	15x10x3 seat	2	0.6 g	PTFE	
3	89 007 35 Stem	89 007 35 Stem	1	6.1 g	CW617N	
4	8x1.6 Oring	8x1.6 Ori ng	2	0.0 g	EPDM	
5	20x12x3Ball	20x12x3 Ball	1	10.9 g	CW617N	
6	89 007 35 Bonnet	G3/8" Bonnet	1	53.2 g	CW617N	
7	89 007 35 Handle	3/8;1/2;3/4 Handle	1	31.4 g	Q235	red
8	M4xH8 screw	M4x8 screw	1	1.6 g	Q235	
9	CHECHIA	CHECHIA	1	11.5 g	CW617N	
10	24x16x2.5 Gasket	24x16x2.5 Gasket	1	0.6 g	EPDM	
11	89 007 35 Pipe	1/2" Pipe	1	4.1 g	CW617N	
12	15mm Divertor	15mm Divertor	1	0.5 g	PC	



DRAW.:
CHK.:
APVD.:

0 -6 = ± 0.1
 6 -30 = ± 0.2
 30 -120 = ± 0.3
 120 -400 = ± 0.5

IPG GmbH

Material: CW617N		Engineering Spec.:	Scale:
Date:	Design State:	Finish:	

Description: Auslauf-Kugelhahn 3/8		
Part No:	89 007 35	Sheet 1 / 1

NOTICE: These drawing and specifications are the property of HongJia Vale and may not be reproduced, copied or used without written permission.