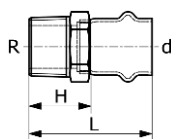
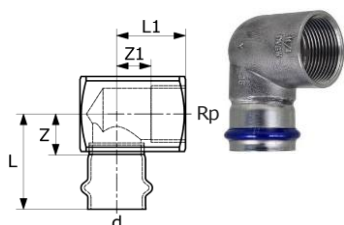


Übergangsmuffe A.G.



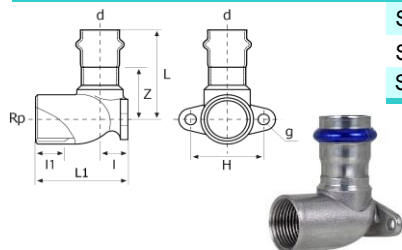
Art. Nr.	d - R	L	H	Gewicht in g	Mind. Menge
S81PCVI-LBP	15-R $\frac{1}{2}$	49	28	61	100
S81QCVI-LBP	15-R $\frac{3}{4}$	51	30	70	50
S81PDVI-LBP	18-R $\frac{1}{2}$	50	29	67	100
S81QDVI-LBP	18-R $\frac{3}{4}$	52	31	90	50
S81PEVI-LBP	22-R $\frac{1}{2}$	53	30	108	100
S81QEVI-LBP	22-R $\frac{3}{4}$	56	33	118	100
S81REVI-LBP	22-R1	56	33	155	100
S81QFVI-LBP	28-R $\frac{3}{4}$	55	31	152	80
S81RFVI-LBP	28-R1	57	33	152	100
S81RGVI-LBP	35-R1	86	59	150	50
S81SGVI-LBP	35-R1 $\frac{1}{4}$	74	47	175	50
S81THVI-LBP	42-R1 $\frac{1}{2}$	81	49	260	20
S81JVVI-LBP	54-R2	91	54	392	20

Übergangswinkel 90° I.G.



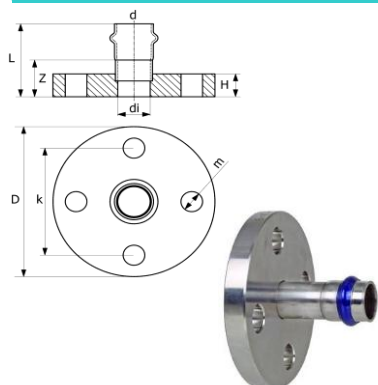
Art. Nr.	d - Rp	L	L1	Z	Z1	Gewicht in g	Mind. Menge
S30PCVI-LBP	15-Rp $\frac{1}{2}$	54	37	33	25	113	80
S30PDVI-LBP	18-Rp $\frac{1}{2}$	54	39	33	27	122	60
S30QEVI-LBP	22-Rp $\frac{3}{4}$	59	46	36	33	188	50
S30RFVI-LBP	28-Rp1	62	54	38	38	333	50
S30SGVI-LBP	35-Rp1 $\frac{1}{4}$	76	63	49	46	492	30

Deckenwinkel 90° I.G.



Art. Nr.	d - G (ISO 228)	L	L1	Z	I	I1	H	g	Gewicht in g	Mind. Menge
S32PCVI-LBP	15-G $\frac{1}{2}$	48	43	27	12	12	34	5	107	80
S32PDVI-LBP	18-G $\frac{1}{2}$	48	44	27	13	12	34	5	104	60
S32QEVI-LBP	22-G $\frac{3}{4}$	53	51	30	17	13	40	6	150	60

Übergangsfansch PN 16



Art. Nr.	d	D	di	L	H	m	k	Z	Gewicht in g	Mind. Menge
S52ACVI-LBP	15	95	14	56	11	14	65	35	600	20
S52ADVI-LBP	18	95	17	52	11	14	65	31	597	20
S52AEVI-LBP	22	105	21	60	12	14	75	37	796	20
S52AFVI-LBP	28	115	27	64	14	14	85	40	1.132	20
S52AGVI-LBP	35	140	32	73	16	18	100	46	1.758	20
S52AHVI-LBP	42	150	38	80	17	18	110	48	2.174	15
S52AJVI-LBP	54	165	51	108	18	18	125	71	2.925	15

