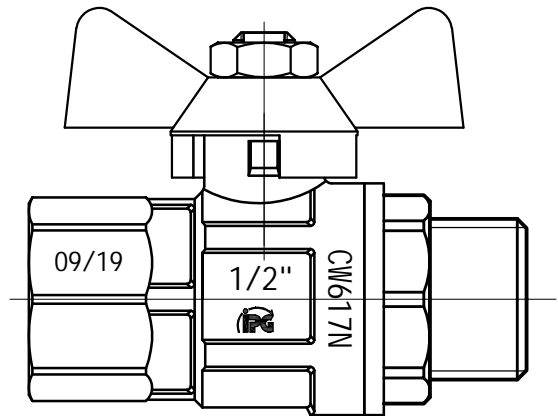
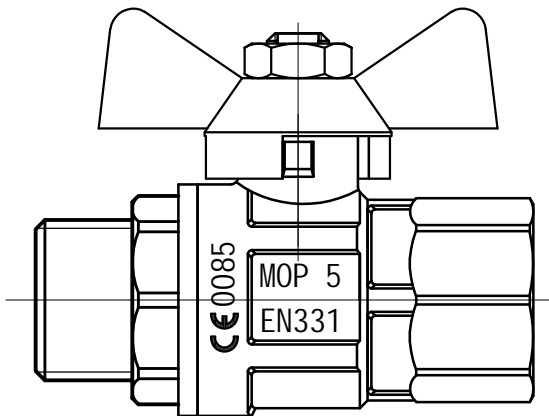


8	handle	aluminum
7	nut	s.s
6	O-ring	NBR
5	PTFE seat	PTFE
4	stem	brass
3	ball	brass
2	bonnet	brass
1	body	brass
NO.	Part name	Material

Technical requirements:

- 1) Surface: Nickel plated
- 2) Working Temperature: -20°C ~ 60°C
- 3) Ball valve need to be tested under pressure 6 bar, no external leakage found in half-open position and no internal leakage found in closed position.
- 4) Ball valve needs to be kept with pressure for 12 hours, popping sound appears when opening.



PRIND	8900482	8900483	8900449	8900450	8900451
DN	1/4	3/8	1/2	3/4	1
φD1	10	10	15	18	25
φD2	8	10	15	18	25
L1	12	12	16.5	17	19.5
L2	12	11	16	17	19
L	53	53	67.5	75	85.5
CW1	16.5	20	25	32	38
CW2	16.5	20	22	32	34
g			208	318	520



GmbH