



ATTIX 3

ATTIX 5

ATTIX 7

ATTIX 12 GALLON

ATTIX 19 GALLON

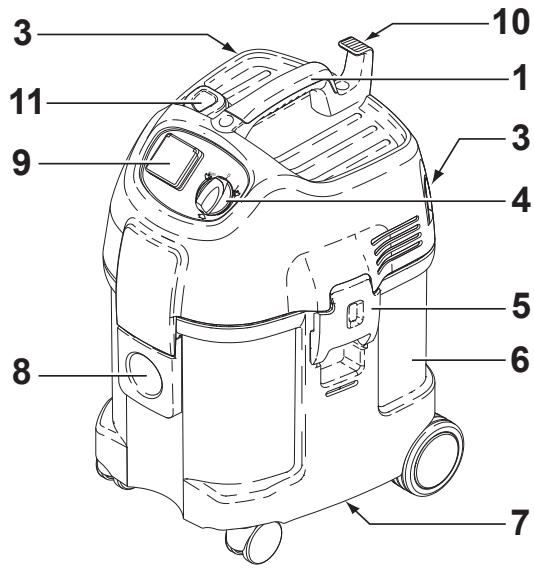


# Nilfisk ALTO

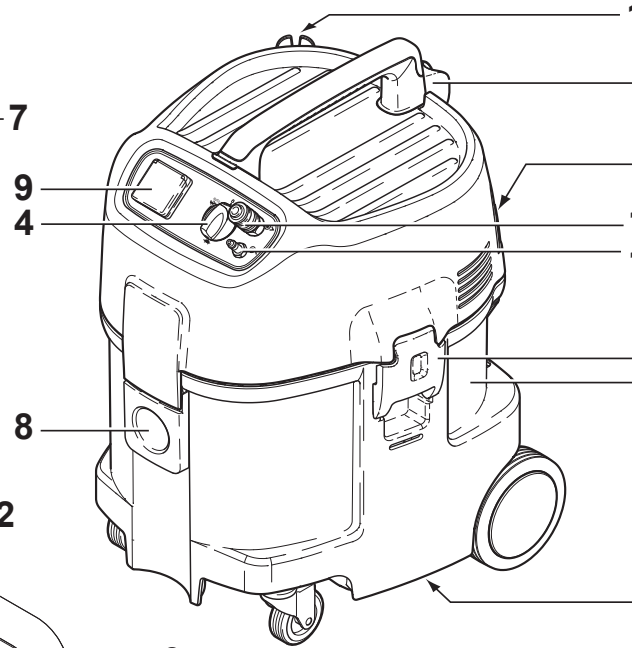
*Why Compromise*

english	Operating Instructions.....	1-13
deutsch	Betriebsanleitung.....	14-26
français	Notice d'utilisation.....	27-39
nederlands	Gebruiksaanwijzing.....	40-52
italiano	Istruzioni sull'uso.....	53-67
norsk	Driftsinstruks.....	68-80
svensk	Bruksanvisning.....	81-93
dansk	Driftsvejledning.....	94-106
suomi	Käyttöohje.....	107-119
slovensci	Navodilo za uporabo.....	120-132
hrvatski	Uputstvo za rad.....	133-145
slovenský	Prevádzkový návod.....	146-158
český	Provozní návod.....	159-171
polski	Instrukcja obsługi.....	172-184
magyar	Kezelési utasítás.....	185-197
ἑλληνικὰ	Δοκιμαστικὴ ἀποδοτικὴ ἰσχύς.....	198-210
español	Instrucciones de manejo.....	211-223
português	Instruções de operação.....	224-236
ελληνικά	Οδηγίες λειτουργίας.....	237-249
türkçe	İşletme kılavuzu.....	250-262

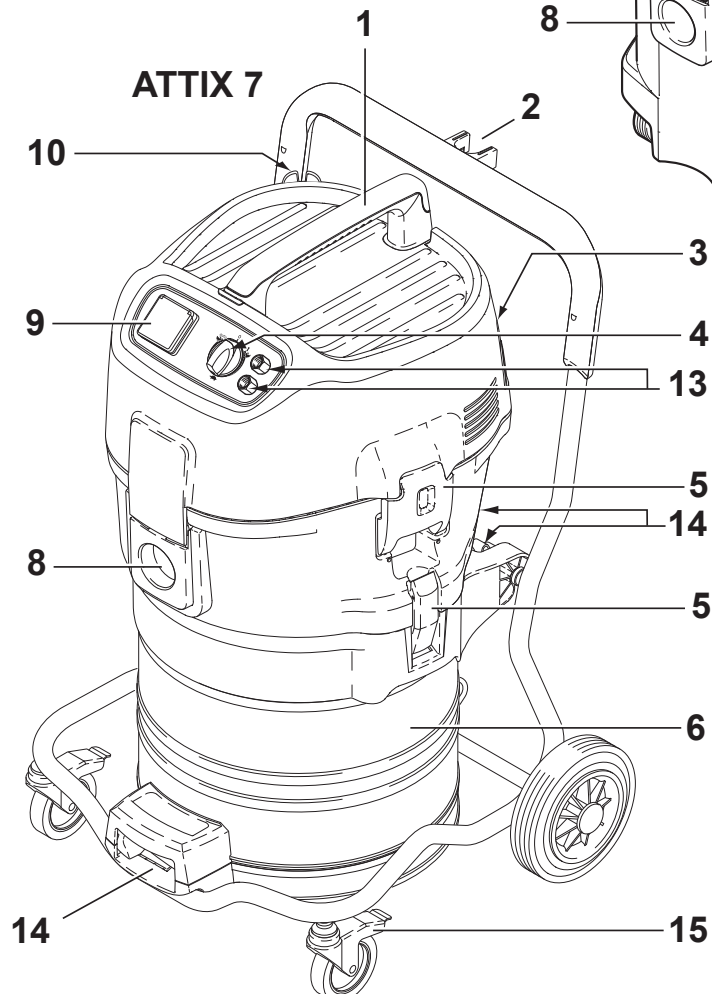
### ATTIX 3



### ATTIX 5



### ATTIX 7



# Contents

<b>1 Important safety instructions</b>	.....	2
<b>2 Description</b>	2.1 Purpose .....	4
	2.2 Operating elements .....	4
<b>3 Before starting</b>	3.1 Assembling the vacuum cleaner .....	4
<b>4 Operation</b>	4.1 Connections .....	5
	4.1.1 Connecting the suction hose .....	5
	4.1.2 Electrical connection .....	5
	4.1.3 Connecting electrical appliances <sup>1)</sup> .....	5
	4.1.4 Connecting pneumatic tools <sup>1)</sup> .....	5
	4.2 Switching on the vacuum cleaner.....	5
	4.2.1 Switch position "I" .....	5
	4.2.2 Switch position "auto" <sup>1)</sup> .....	5
	4.2.3 Setting suction power <sup>1)</sup> .....	6
	4.3 Cleaning the filter element .....	6
	4.3.1 Cleaning the filter element (Push&Clean System) <sup>1)</sup> .....	6
	4.3.2 Cleaning the filter element (Automatic Filter Cleaning System) <sup>1)</sup> .....	6
<b>5 Applications and techniques</b>	5.1 Techniques .....	6
	5.1.1 Picking up dry substances.....	7
	5.1.2 Picking up liquids.....	7
<b>6 After finishing work</b>	6.1 Switching the vacuum cleaner off and storage.....	7
<b>7 Maintenance</b>	7.1 Maintenance plan .....	8
	7.2 Maintenance work .....	8
	7.2.1 Replacing the waste bag .....	8
	7.2.2 Replacing the filter bag.....	8
	7.2.3 Emptying dirt tank (ATTIX 3 / 5 / 12 GALLON).....	9
	7.2.4 Emptying the dirt tank (ATTIX 7/19 GALLON).....	9
	7.2.5 Replacing filter element (Push&Clean System) <sup>1)</sup> .....	9
	7.2.6 Replacing filter element (Automatic Filter Cleaning System) <sup>1)</sup> .....	10
<b>8 Troubleshooting</b>	.....	11
<b>9 Further information</b>	9.1 Recycling the vacuum cleaner .....	12
	9.2 Guarantee .....	12
	9.3 Tests and approvals .....	12
	9.4 Technical data .....	13
	9.5 Accessories .....	13
	9.6 EU Declaration of Conformity.....	13

<sup>1)</sup>Option depending on model

# EN 1 Important safety instructions

## Symbols used to mark instructions



ily available.

Before using the vacuum cleaner, always read the operating instructions and keep them readily available.



to the vacuum cleaner and its performance.

This symbol is used to mark safety instructions that must be observed to prevent damage to the vacuum cleaner and its performance.



damage to persons.

This symbol is used to mark safety instructions that must be observed to prevent damage to persons.



operation.

This symbol indicates tips and instructions to simplify work and to ensure safe operation.

## For your own safety

Only allow the vacuum cleaner to be used by persons who have been trained in its use and who have been explicitly authorized to use it.

is subject to valid national regulations. Besides the operating instructions and the binding accident prevention regulations valid in the country of use, observe recognized regulations for safety and proper use.

Despite its simple handling the vacuum cleaner is not suitable for children.

Do not use any unsafe work techniques.

The use of the vacuum cleaner

## Transport

Before transporting the dirt tank, close all the locks.

liquid in the dirt tank.

Do not tilt the cleaner if there is

Do use a crane hook to lift the cleaner.

## Purpose and intended use



The vacuum cleaners described in this operating manual are suitable for

- commercial use, e.g. in hotels, schools, hospitals, factories, shops, offices and rental businesses.

- hazardous dust
- hot materials (burning cigarettes, hot ash, etc.)
- flammable, explosive, aggressive liquids (e.g. petrol, solvents, acids, alkalis, etc.)
- flammable, explosive dust (e.g. magnesium or aluminium dust, etc.)

The following materials should not be picked up by the vacuum cleaner:

**Precautions and safety regulations** must be replaced by Alto-Service or an electrician to avoid danger before use of the vacuum cleaner is continued.

## Instructions when using the vacuum cleaner

Inspect power cord regularly to detect signs of damage, e.g. cracks or ageing.

## Before start-up

If the power cord is damaged, it

Use only the type of power cord



specified in the operating manual.

Do not damage the power cord (e.g. by moving over it or pulling or crushing it).

Disconnect the power cord by pulling the plug only (do not pull or tug the power cord).

Inspect the vacuum cleaners to ensure that they are in proper condition. Plugs and couplings in power cords must at least have splash protection.

Never use the vacuum cleaner if the filter element is damaged.

### Picking up liquids

If foam develops or liquid emerges, stop work immediately and empty the dirt tank.

Regularly clean the built in float<sup>1)</sup> or level indicator hose to limit the

water level<sup>1)</sup> and check that they are not damaged.

See section 5 for information on handling liquids and (hazardous) dust.

### Electrical components

Check the rated voltage of the vacuum cleaner before connecting it to the mains supply system. Ensure that the voltage shown on the rating plate corresponds to the voltage of the local mains power supply.

If you are using an extension cord, use only those specified by the manufacturer or higher quality ones (see section 9.4 „Technical data“).

It is recommended that the vacuum cleaner should be connected via a residual current circuit breaker. This stops the supply of electricity if the leakage current to earth exceeds 30 mA for 30 ms or it has an earth tester circuit.

When using an extension lead, check the minimum cross-sections of the cable:

Cable length m	Cross section	
	<16 A	<25 A
up to 20 m	ø1.5mm <sup>2</sup>	ø2.5mm <sup>2</sup>
20 to 50 m	ø2.5mm <sup>2</sup>	ø4.0mm <sup>2</sup>

Arrange the electrical parts (sockets, plugs and couplings) and lay down the extension lead so that the protection class is maintained.

Never spray water on to the upper section of the vacuum cleaner. Danger for persons, risk or short-circuiting.

Observe the latest edition of the IEC regulations.

### Tool socket

Use the socket on the vacuum cleaner for the purpose defined in the operating instructions only.

Before plugging an appliance into the appliance socket:

1. Switch off the vacuum cleaner.

2. Switch off the appliance to be connected.

#### CAUTION!

Follow the operating instructions and safety instructions for appliances connected to the power tool socket.

### Maintenance, cleaning and repair

Only carry out maintenance work described in the operating instructions.

Always pull out the mains plug before cleaning and maintenance of the vacuum cleaner.

<sup>1)</sup>Option depending on model

EN

**Accessories and spare parts**

Use only the brushes supplied with the vacuum cleaner or specified in the operating manual. The use of other brushes can adversely affect safety.

Use only original Alto accessories and spare parts (see section 9.5). The use of other parts can adversely affect safety.

## 2 Description

### 2.1 Purpose

When used properly, the industrial vacuum cleaners described in these instructions

are suitable for sucking up dry, non-flammable, non-hazardous dusts and liquids.

### 2.2 Operating elements

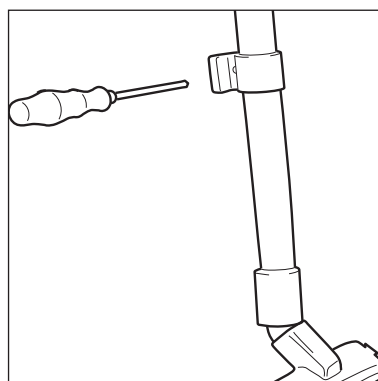
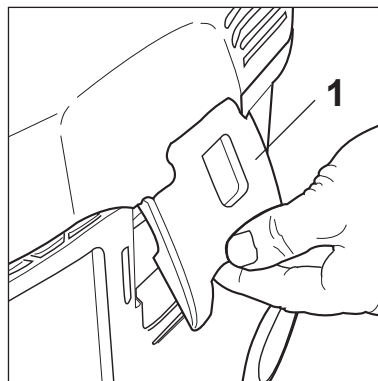
See fold-out page at front of these operating instructions.

- 1 Handle
- 2 Suction pipe support
- 3 Accessory holder
- 4 Appliance switch with suction power control<sup>1)</sup>
- 5 Retaining clamp
- 6 Dirt tank
- 7 Grip to empty tank<sup>1)</sup>

- 8 Inlet fitting
- 9 Appliance socket<sup>1)</sup>
- 10 Cable hook
- 11 Operating knob for filter cleaning<sup>1)</sup>
- 12 Connection for compressed air supply<sup>1)</sup>
- 13 Connection for pneumatic tool<sup>1)</sup>
- 14 Tank locks<sup>1)</sup>
- 15 Castor with brake

## 3 Before starting

### 3.1 Assembling the vacuum cleaner



1. The mains plug should not yet be inserted into a socket.
  2. Open the retaining clamps (1) and remove upper section of the cleaner.
  3. Take the accessories<sup>1)</sup> out of the dirt tank and the packaging.
  4. Place a filter bag into the tank as described in the instructions (printed on the filter bag).
- IMPORTANT!**  
Press the filter bag connection firmly on to the inlet fitting.
5. Fit the upper section of the cleaner (do not damage the filter bag) and close the retaining clamps.

**NOTE!**

Ensure that the retaining clamps fit properly.

6. Fit the suction tube fastener<sup>1)</sup> about 20 cm from the edge of the lower extension tube as shown in the figure.



*On delivery some of the accessories are lying in the tank and must be removed before the vacuum cleaner is used for the first time. Remove the upper section of the vacuum cleaner: The mains plug should not yet be inserted into a socket.*

# 4 Operation

## 4.1 Connections

### 4.1.1 Connecting the suction hose

1. Connect the suction hose.

### 4.1.2 Electrical connection

*The operating voltage shown on the rating plate must correspond to the voltage of the mains power supply.*

1. Ensure that the cleaner is switched off.
2. Insert the power cord into a properly installed and fused socket with earthing contact.

### 4.1.3 Connecting electrical appliances<sup>1)</sup>



*Before switching the switch to position „auto“, ensure that the tool connected to the appliance socket is switched off.*

*To comply with regulations, only approved dust producing tools should be connected.*

*The maximum power consumption of the connected electrical appliance is stated in section 9.4 "Technical data".*

1. Connect the electrical appliance to the appliance socket<sup>1)</sup> on the control panel.

### 4.1.4 Connecting pneumatic tools<sup>1)</sup>



*Before switching the switch to position „auto“, ensure that the tool connected to the appliance socket is*

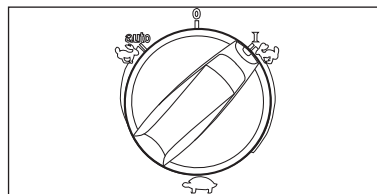
*switched off.*

*Operating pressure of the pneumatic tool is stated in section 9.4 "Technical data".*

1. Connect the pneumatic tool to the upper quick coupling<sup>1)</sup> on the control panel.
2. Connect the compressed air supply to the lower push-in nipple<sup>1)</sup>.

## 4.2 Switching on the vacuum cleaner

### 4.2.1 Switch position "I"

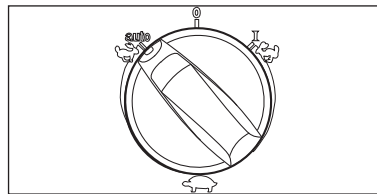


1. Turn the switch to position "I".  
The vacuum cleaner motor starts.

### 4.2.2 Switch position "auto"<sup>1)</sup>



*Before switching the switch to position „auto“, ensure that the tool connected to the appliance socket is switched off.*



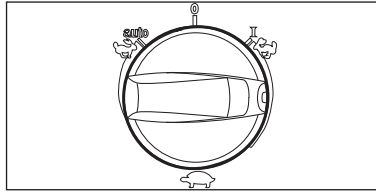
1. Turn the switch to position "auto"<sup>1)</sup>.  
The vacuum cleaner motor starts when the connected power tool/pneumatic tool is switched on.
2. When the power tool is switched off, the vacuum cleaner continues to run for a short moment so that any dust in the suction hose is conveyed to the filter bag.

<sup>1)</sup> Option depending on model



EN

**4.2.3 Setting suction power<sup>1)</sup>**



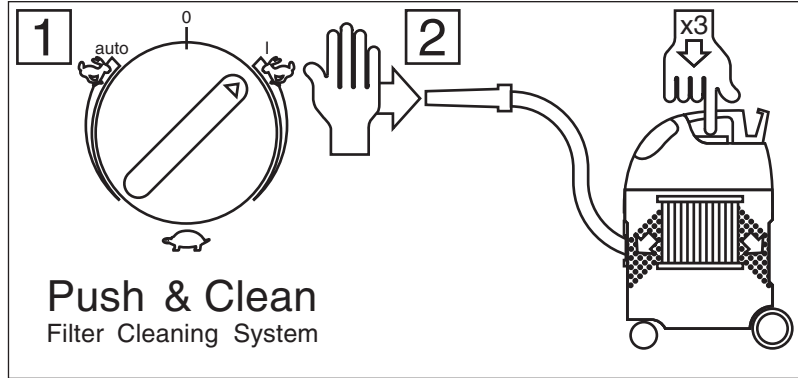
The motor speed and the suction power can be varied with the suction power control<sup>1)</sup>. This allows precise adaptation of the suction power for different cleaning tasks.

**4.3 Cleaning the filter element**

**4.3.1 Cleaning the filter element (Push&Clean System)<sup>1)</sup>**



*If suction performance drops.*

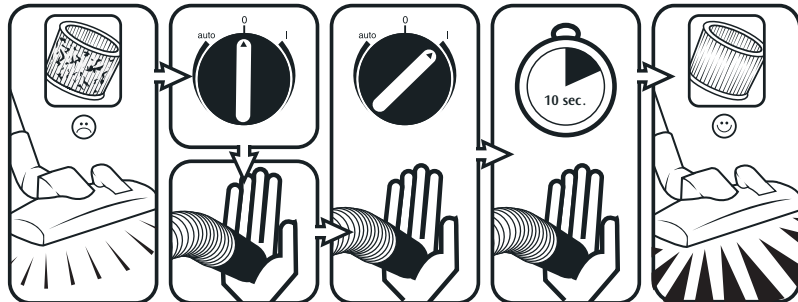


1. Set the suction power to maximum.
2. Close the nozzles or suction hose opening with the palm of your hand.
3. Press the button to start filter cleaning three times. The resulting stream of air removes attached dust from the slats of the filter elements.

**4.3.2 Cleaning the filter element (Automatic Filter Cleaning System)<sup>1)</sup>**



*To ensure that suction performance is always at its best, the filter element is automatically cleaned during operation. We recommend complete cleaning if the filter element becomes extremely dirty.*



1. Switch off the vacuum cleaner
2. Close the nozzles or suction hose opening with the palm of your hand.
3. Turn the switch to position „I“ and let the cleaner operate for approx. 10 seconds with the suction hose opening closed.

## 5 Applications and techniques

**5.1 Techniques**

If used correctly, additional accessories, suction nozzles and suction hoses can enhance the cleaning action and reduce the cleaning effort.

Effective cleaning is achieved if you follow just a few guidelines in combination with your own practical experience in special fields.

Here are some basic tips.



### 5.1.1 Picking up dry substances



**CAUTION!**  
Do not pick up flammable substances.

Before picking up dry substances, always ensure that a filter bag is inserted in the tank (see section 9.5 "Accessories" for order number). Disposal of the picked up material is then simple and hygienic.

After picking up liquids, the filter element is wet. A damp filter element clogs more quickly when dry substances are picked up. For this reason the filter element should be washed and dried or replaced by a dry element before dry substances are picked up.

EN

### 5.1.2 Picking up liquids



**CAUTION!**  
Do not pick up flammable liquids.

Before liquids are picked up, always remove the filter bag/waste bag and check that the float<sup>1)</sup> or the water level limit<sup>1)</sup> works properly. (See section 7.2.4 and 7.2.5 "Replacing the filter element".)

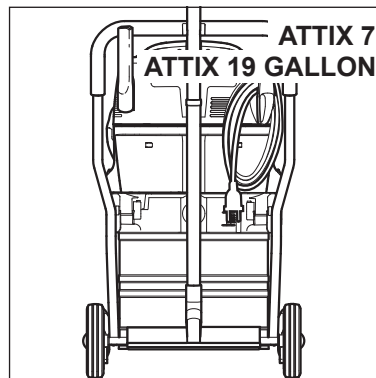
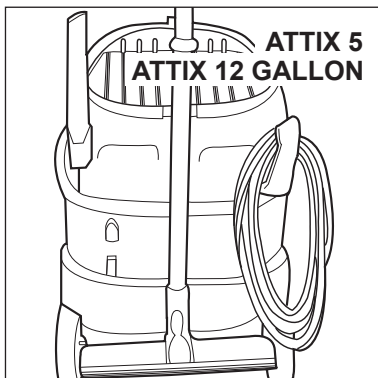
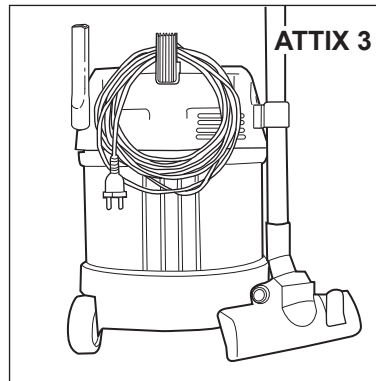
The use of a separate filter element or filter screen is recommended.

If foam appears, stop work immediately and empty the tank.

To reduce the amount of foam, use foam killer Alto Foam Stop (see section 9.5 "Accessories" for order number).

## 6 After finishing work

### 6.1 Switching the vacuum cleaner off and storage



1. Switch off the vacuum cleaner and pull the mains plug out of the socket.
2. Wind up the power cord and hang it on the handle.
3. Empty the tank and clean the vacuum cleaner.
4. After picking up liquids: Store the upper section of the cleaner separately so that the filter element can dry.
5. Store the cleaner in a dry room where it is protected from unauthorized use.

<sup>1)</sup>Option depending on model

# EN 7 Maintenance

## 7.1 Maintenance plan

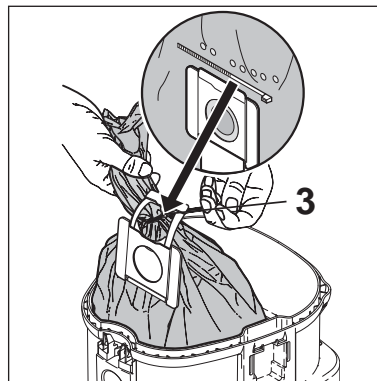
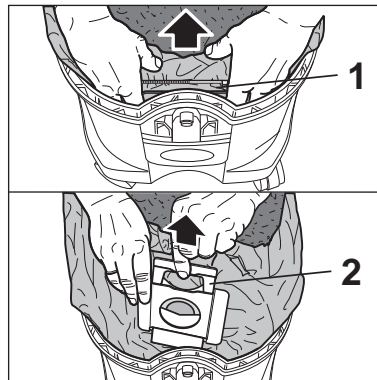
		After finishing work	As required
7.2.1	Replacing the waste bag		●
7.2.2	Replacing the filter bag		●
7.2.3	Emptying dirt tank (ATTIX 3 / ATTIX 5 / 12 GAL)	●	
7.2.4	Emptying dirt tank (ATTIX 7 / 19 GAL)	●	
7.2.5	Replacing filter element (Push&Clean System) <sup>1)</sup>		●
7.2.6	Replacing filter element (Automatic Filter Cleaning System) <sup>1)</sup>		●

## 7.2 Maintenance work

### 7.2.1 Replacing the waste bag



Press the waste bag connection of the new waste bag firmly on to the inlet fitting.

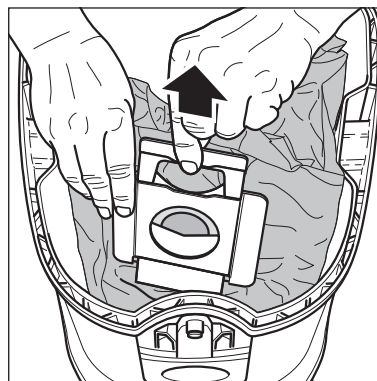


1. Open the retaining clamps and remove the upper section of the cleaner from the dirt tank.
2. Carefully remove the waste bag connection (1) from the inlet fitting.
3. Close the waste bag connection with the slide (2).
4. Close the waste bag using the cable binder (3).
5. Dispose of the dirt in accordance with legal regulations.
6. Insert a new waste bag into the cleaned tank as described in the instructions enclosed.

### 7.2.2 Replacing the filter bag

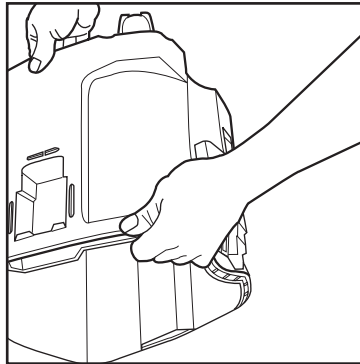


Press the filter bag connection of the new filter bag firmly on to the inlet fitting.



1. Open the retaining clamps and remove the upper section of the cleaner from the dirt tank.
2. Carefully remove the filter bag connection from the inlet fitting.
3. Close the filter bag connection with the slide.
4. Dispose of the filter bag in accordance with legal regulations.
5. Place a new filter bag into the cleaned tank as described in the instructions (printed on the filter bag).

### 7.2.3 Emptying dirt tank (ATTIX 3 / 5 / 12 GALLON)



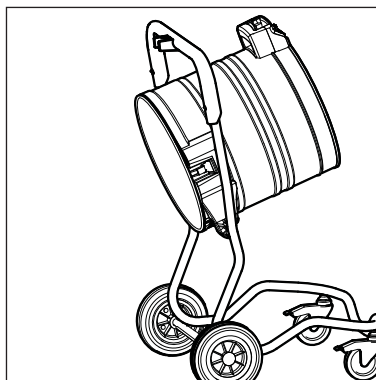
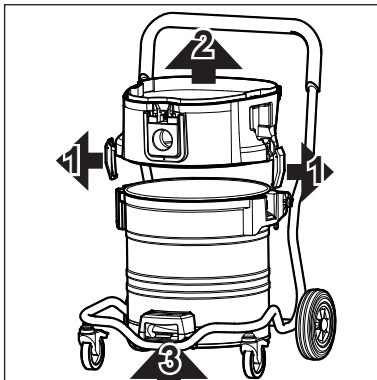
1. Remove the upper section of the cleaner from the dirt tank.
2. Hold the dirt tank at the grip underneath the tank and tip out the dirt.
3. Dispose of the dirt in accordance with legal regulations.
4. Clean the rim of the tank before fitting the upper section of cleaner.

EN

Before reinserting the suction hose:

5. Clean the inlet fitting and hose collar.

### 7.2.4 Emptying the dirt tank (ATTIX 7/19 GALLON)



1. Remove the upper section of cleaner from the dirt tank.
2. Open the retaining clamps (1) and remove the intermediate ring (2) from the tank.
3. Pull the lever in the handle (3) upwards and tilt the tank.
4. Tip out the collected dirt.
5. Dispose of the dirt in accordance with legal regulations.

or:

1. Open the tank locks (4).
2. Use the handles (5) to lift the tank out of the frame.
4. Tip out the collected dirt.
5. Place the empty tank in the frame and close the locks (4).
6. Dispose of the dirt in accordance with legal regulations.

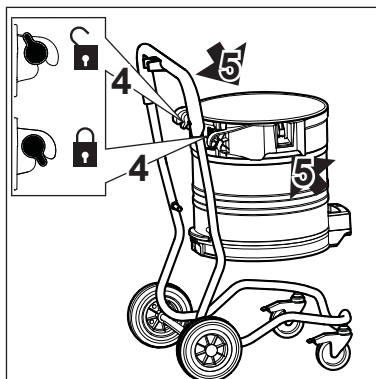


To empty the dirt tank after picking up liquids: remove the intermediate ring as a proper seal is only ensured during suction.

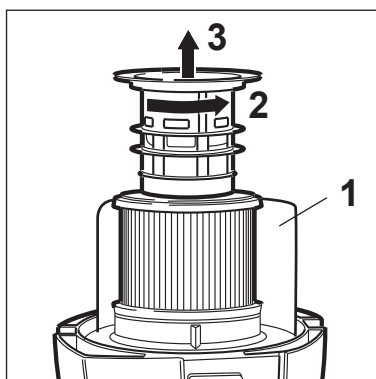
After emptying the tank: clean the rim of the tank and the seals in the intermediate ring and the upper section of cleaner before refitting them.

If the seal or groove is dirty or damaged, the suction performance will be reduced.

Before reinserting the suction hose: clean the inlet fitting and hose collar.



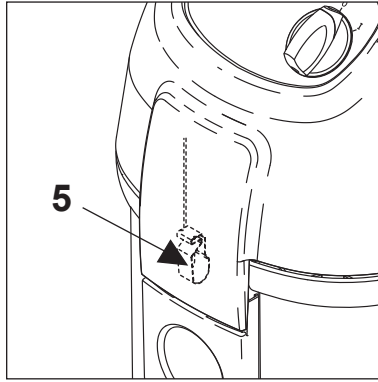
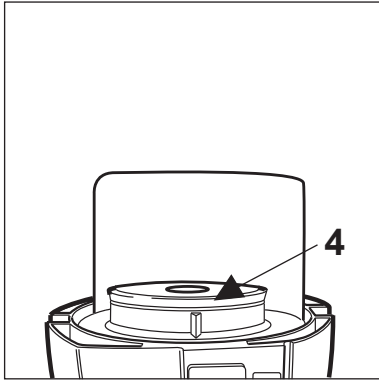
### 7.2.5 Replacing filter element (Push&Clean System)<sup>1)</sup>



1. Remove the upper section of the cleaner from the dirt tank and deposit with the filter element facing upwards. Do not place the upper section of the cleaner on the guard (1).
2. Turn the filter holder anti-clockwise (2) and remove it (3).
3. Carefully remove the filter element.

<sup>1)</sup> Option depending on model

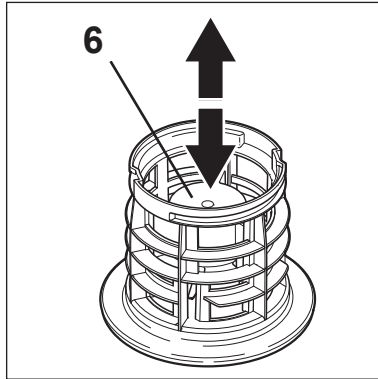
EN



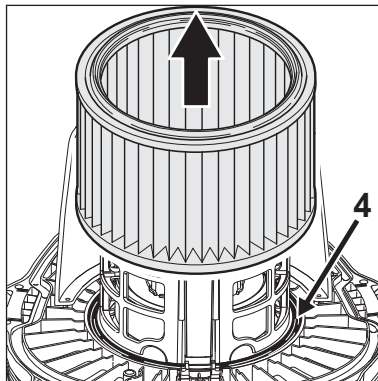
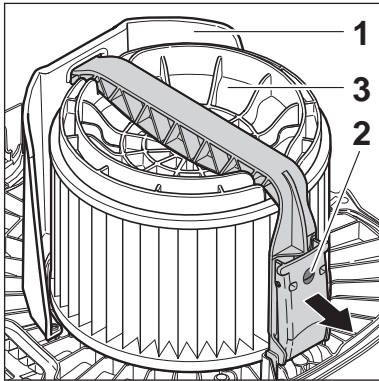
4. Clean the filter seal (4). Check it for damage and replace if necessary.
5. Check antistatic clamp (5) for damage and have it replaced by Alto Service if necessary.
6. Check the floater (6) for proper operation: When you turn the filter holder, the floater should move back and forth easily.
7. Fit a new filter element.
8. Fit the filter holder and turn it clockwise to secure it.
9. Dispose of the used filter element in accordance with legal regulations.



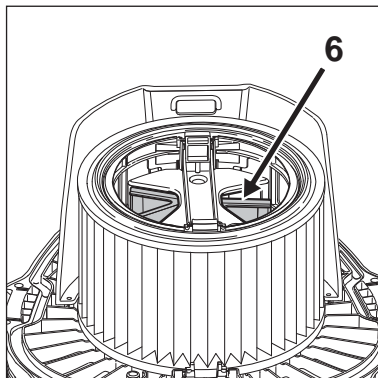
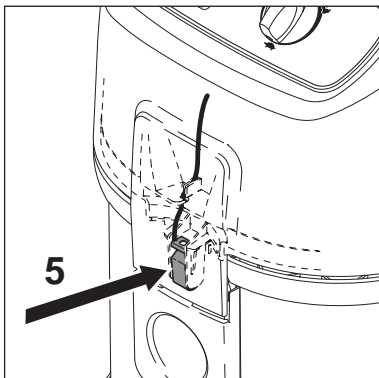
**Never use the vacuum cleaner without a filter.**



### 7.2.6 Replacing filter element (Automatic Filter Cleaning System)<sup>1)</sup>

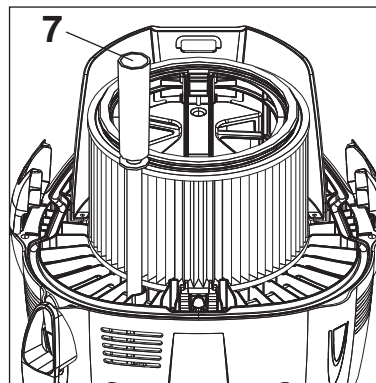


1. Open the retaining clamps and remove the upper section of the cleaner from the dirt tank. Lay the upper section of the cleaner down with the filter element facing upwards. Do not place the upper section of the cleaner on the guard (1) and do not damage the filter element.
2. Open the bar handle (2) and remove it.
3. Remove the filter holder (3).
4. Carefully remove the filter element.
5. Clean the filter seal (4). Check it for damage and replace it if necessary.
6. Check the antistatic clamp (5) for damage and have it replaced by Alto Service if necessary.
7. Check that the control flap (6) for filter cleaning works properly. The control flap should move back and forwards easily.





Never use the vacuum cleaner without a filter.



8. Clean the level hose (7).
9. Fit a new filter element.
10. Fit the filter holder. Ensure that it is in the correct position.
11. Fit bar and close bar handle.
12. Dispose of the used filter element in accordance with legal regulations.

EN

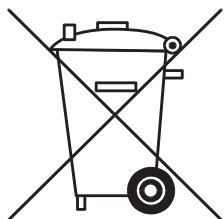
## 8 Troubleshooting

Fault	Cause	Remedy
‡ Motor does not start	<ul style="list-style-type: none"> <li>&gt; Fuse of the mains socket has blown.</li> <li>&gt; Overload protection switch has tripped.</li> <li>&gt; Self-acting carbon brush is worn<sup>1)</sup></li> </ul>	<ul style="list-style-type: none"> <li>• Connect mains fuse.</li> <li>• Switch off the vacuum cleaner and allow it to cool for approx. 5 minutes. If the cleaner cannot be started again, contact the Alto service department.</li> <li>• Have carbon brushes changed by Alto Service.</li> </ul>
‡ Motor does not run in automatic mode	<ul style="list-style-type: none"> <li>&gt; Power tool/pneumatic tool is defective or not connected properly.</li> <li>&gt; The power rating of the electrical tool is too low.</li> </ul>	<ul style="list-style-type: none"> <li>• Check that the power tool works or that the plug is inserted correctly.</li> <li>• Note that minimum power rating is P&gt;40W</li> </ul>
‡ Reduced suction power	<ul style="list-style-type: none"> <li>&gt; Suction power selected with suction power control is too low.</li> <li>&gt; Clogged suction hose/nozzle.</li> <li>&gt; Filter bag is full.</li> <li>&gt; Filter element is clogged.</li> <li>&gt; Automatic Filter Cleaning System only: Defective cleaning mechanism</li> </ul>	<ul style="list-style-type: none"> <li>• Set suction power in accordance with section 4.2.3. „Setting suction power“.</li> <li>• Clean suction hose/nozzle</li> <li>• See section 7.2.2 „Replacing filter bag“.</li> <li>• See section 4.5 „Cleaning filter element“ and 7.2.5+7.2.6 „Replacing filter element“.</li> <li>• Contact Alto Service</li> </ul>
‡ No suction power during wet cleaning	<ul style="list-style-type: none"> <li>&gt; Tank is full. (Float has closed the suction opening).</li> </ul>	<ul style="list-style-type: none"> <li>• Switch off the cleaner. Empty the tank.</li> </ul>
‡ The vacuum cleaner switches off during wet cleaning	<ul style="list-style-type: none"> <li>&gt; Tank is full.</li> </ul>	<ul style="list-style-type: none"> <li>• Switch off the cleaner. Empty the tank.</li> </ul>
‡ Voltage fluctuations	<ul style="list-style-type: none"> <li>&gt; Impedance of power supply is too high.</li> </ul>	<ul style="list-style-type: none"> <li>• Connect the cleaner to another socket closer to the fuse box. Voltage fluctuations over 7% should not occur if the impedance at the transfer point is <math>\leq 0.15 \Omega</math>.</li> </ul>

<sup>1)</sup> Option depending on model

## **EN** 9 Further information

### 9.1 Recycling the vacuum cleaner



Make the old cleaner unusable immediately.

1. Unplug the cleaner and cut the power cord.

Do not discard of electrical appliances with household waste.

As specified in European Directive 2002/96/EC on old electrical

and electronic appliances, used electrical goods must be collected separately and recycled ecologically.

Contact your local authorities or your nearest dealer for further information.

### 9.2 Guarantee

Our general conditions of business are applicable with regard to the guarantee.

Subject to change as a result of technical advances.

### 9.3 Tests and approvals

Electrical tests must be performed in accordance with the provisions of safety regulations (VBG4) and to DIN VDE 0701 Part 1 and Part 3. In accordance with DIN VDE 0702 these tests must be performed at

regular intervals and after repairs or modifications.

The vacuum cleaner has been approved in accordance with IEC/EN 60335-2-69.



## 9.4 Technical data



		ATTIX 3 / 5 / 7					ATTIX 12 GALLON	ATTIX 12 GALLON RDF EC 12 GALLON AS/E	ATTIX 12 GALLON RDFD 12 GALLON AS/PE	ATTIX 19 GALLON 19 GALLON AS/PE2
		EU	CH, DK	GB230/240V	GB 110V	AU, NZ 230/240V	US 120 V			
Voltage	V	230		230/240	110	230/240	120			
Mains frequency	Hz	50/60					60			
Fuse	A	16	10	13	16	10	15			
Power consumption	W (HP)	1200					1000 (1.4)	840 (1.1)	940 (1.3)	1040 (1.4)
Connected load for appliance socket	W (HP)	2400	1100	1800	560	1100	-	600 (0.8)	500 (0.7)	400 (0.5)
Total connected load	W (HP)	3600	2300	3000	1760	2300	1000 (1.4)	1440 (1.9)		

		ATTIX 350-01	ATTIX 360-11 360-21	ATTIX 550-01 550-11 MOBIL 550-21 / 590-21 560-21 / 560-31	ATTIX 12 GALLON 12 GALLON RDF EC 12 GALLON AS/E 12 GALLON RDFD 12 GALLON AS/PE	ATTIX 751-01 / 751-11 751-21 / 761-21 XC 791-21	ATTIX 19 GAL 19 GAL AS/PE2
Volume flow (air)	l/min (cfm)	3600 (127)					
Negative pressure (water lift)	Pa (in)	23000 (93)				23000 (93) 25000 (100) <sup>2)</sup>	23000 (93)
Sound pressure level at a distance of 1 m, EN 60704-1	dB(A)	62 ± 2			60 ± 2		64 ± 2
Operating noise	dB(A)	59 ± 2			57 ± 2		
Power cord: Length	m (ft)	7.5			7.5 10.0(GB)	7.5 (25)	
Power cord: Type		H05RR-F 2x0.75	H05RR-F 3x1.5	H05RR-F 3x0.75 H05RR-F 3x1.5 <sup>1)</sup>	SJTW-A AAWG 18/3 <sup>4)</sup> SJTW-A AAWG 14/3	H05RR-F 3x1.5 H07BQ-F 3x2.5	SJTW-A AAWG 14/3
Protection class		II		I			
Type of protection (splash water protected)		IP X4					
Radio interference level		EN 55014-1					
Tank volume	l (gal)	27			45 (12)	70 (19)	
Width	mm (in)	380			476 (19)	580 (23)	
Depth	mm (in)	390			506 (20)	605 (24)	
Height	mm (in)	570			655 (26)	970 (38)	
Weight	kg (lb)	10			14 / 16 <sup>1)</sup>	25 / 27 <sup>3)</sup> (56/60)	

<sup>1)</sup> ATTIX 560-21/-31, ATTIX 12 GALLON RDFD, ATTIX 12 GALLON AS/PE      <sup>3)</sup> ATTIX 761-21 XC / 19 GALLON AS/PE2  
<sup>2)</sup> ATTIX 791-21      <sup>4)</sup> ATTIX 12 GALLON

## 9.5 Accessories

Description	Order No.				
	ATTIX 3	ATTIX 5 12 GAL 12 GAL RDF	ATTIX 560-21/-31 12 GAL RDFD 12 GAL AS/PE EC12 GAL AS/E	ATTIX 751 19 GAL	ATTIX 761 19 GAL AS/ PE2
Filter bag(5 pcs.)	302000449	302000527	-	302001484	-
Waste bag (5 pcs.)	302000804	302000728	302000728	302001480	302001480
Filter element	302000461 11753 (ZA)	302000461 11753 (ZA)	302000726	302000461 11753 (ZA)	302000726
Cloth insert filter	302000606	302000525	-	-	-

Description	Order No.	
	ATTIX 3 / 5 / 7	
Filter screen	15475	
Alto FoamStop (6 x 1 l)	8469	

## 9.6 EU Declaration of Conformity

CE	EU Declaration of Conformity
Product:	Vacuum cleaner for wet and dry operation
Model:	ATTIX 350-01 / 360-11 / 360-21 ATTIX 550-01 / 550-11 MOBIL / 550-21 ATTIX 560-21 / 560-31 / 590-21 ATTIX 751-01 / 751-11 / 751-21 / 761-21 XC / 791-21
Description:	110/230-240 V~, 50/60 Hz
The design of the machine complies with the following regulations:	EC Machine Directive 2006/42/EC EC EMC Directive 2004/108/EC
Harmonized standards:	EN 12100-1, EN 12100-2 EN 60335-1 EN 60335-2-69 EN 55014-1, EN 55014-2, EN 61000-3-2
National standards and technical specifications:	DIN EN 60335-1 DIN EN 60335-2-69
Name and address of the person authorised to compile the technical file:	Anton Sørensen General Manager, Technical Operations EAPC
Identify and signature of the person empowered to draw up the declaration on behalf of the manufacturer:	Niifsk-Advance A/S Sognevej 25 DK-2605 Brøndby  <i>Anton Sørensen</i> Anton Sørensen General Manager, Technical Operations EAPC Niifsk-Advance A/S Sognevej 25 DK-2605 Brøndby
Place and date of the declaration:	Hadsund, October 1, 2011

<sup>1)</sup> Option depending on model



# Nilfisk ALTO

works for you

## HEAD QUARTER

### DENMARK

Nilfisk-Advance A/S  
Sognevej 25  
DK-2605 Brøndby  
Tel.: (+45) 4323 8100  
www.nilfisk-advance.com

## SALES COMPANIES

### ARGENTINA

Nilfisk-Advance srl.  
Herrera 1855, 6 floor, Of. A-604  
ZC 1293 – Ciudad Autónoma  
de Buenos Aires – Argentina  
www.nilfisk-alto.com

### AUSTRALIA

Nilfisk-ALTO  
Unit 1, 13 Bessemer Street Blacktown  
NSW 2148 Australia  
www.nilfisk-alto.com.au

### AUSTRIA

Nilfisk-ALTO  
Geschäftsbereich der Nilfisk-Advance GmbH  
Metzgerstraße 68  
A-5101 Bergheim/Salzburg  
www.nilfisk-alto.at

### BELGIUM

Nilfisk-Advance NV/SA  
Riverside Business Park  
Boulevard Internationalelaan 55  
Bâtiment C3/C4 Gebouw  
Bruxelles 1070 Brussel  
www.nilfisk.be

### CHILE

Nilfisk-Advance S.A.  
San Alfonso 1462, Santiago  
www.nilfisk.com

### CHINA

Nilfisk-Advance Cleaning Equipment  
(Shanghai) Co Ltd.  
No. 4189, Yindu Road  
Xinzhuang Industrial Park  
Shanghai 201108  
www.nilfisk.cn

### CZECH REPUBLIC

Nilfisk-Advance s.r.o.  
Do Certous 1  
VGP Park Horní Pocernice, Budova H2  
CZ-190 00 Praha 9  
www.nilfisk.cz

### DENMARK

Nilfisk-ALTO Danmark  
Industrivej 1  
Hadsund, DK-9560  
www.nilfisk-alto.dk

### FINLAND

Nilfisk-Advance OY Ab  
Koskelontie 23E  
Espoo, FI-02920  
www.nilfisk.fi

### FRANCE

Nilfisk-Advance SAS  
Division ALTO  
BP 246  
91944 Courtaboeuf Cedex  
www.alto-fr.com

### GERMANY

Nilfisk-ALTO  
Geschäftsbereich der Nilfisk-Advance AG  
Guido-Oberdorfer-Straße 10  
89287 Bellenberg  
www.nilfisk-alto.de

### GREECE

Nilfisk-Advance A.E.  
8, Thoukididou Str.  
Argiroupoli, Athens, GR-164 52  
www.nilfisk.gr

### HOLLAND

Nilfisk-Advance B.V.  
Versterkerstraat 5  
1322 AN ALMERE  
www.nilfisk.nl

### HONG KONG

Nilfisk-Advance Ltd.  
2001 HK Worsted Mills Ind'l Bldg.  
31-39 Wo Tong Tsui St.  
Hong Kong, Kwai Chung, N.T.  
www.nilfisk.com

### HUNGARY

Nilfisk-Advance Kereskedelmi Kft.  
H-2310 Szigetszentmiklós-Lakihegy  
II. Rákóczi Ferenc út 10.  
www.nilfisk.hu

### INDIA

Nilfisk-Advance India Limited  
Pramukh Plaza, 'B' Wing, 4th floor, Unit No. 403  
Cardinal Gracious Road, Chakala  
Andheri (East), Mumbai 400 099  
www.nilfisk.com

### IRELAND

Nilfisk-Advance  
1 Stokes Place  
St. Stephen's Green  
Dublin 2, Ireland  
www.nilfisk-alto.ie

### ITALY

Nilfisk-Advance S.p.A.  
Strada Comunale Della Braglia, 18  
Guardamiglio, Lombardia, I-26862  
www.nilfisk.it

### JAPAN

Nilfisk-Advance Inc.  
1-6-6 Kita-Shinyokohama  
Kouhoku-Ku  
Yokohama 223-0059  
www.nilfisk-advance.co.jp

### KOREA

Nilfisk-Advance Korea  
471-4, Kumwon B/D 2F,  
Gunja-Dong, Gwangjin-Gu, Seoul  
www.nilfisk-advance.kr

### MALAYSIA

Nilfisk-Advance Sdn Bhd  
SD 33, Jalan KIP 10  
Taman Perindustrian KIP  
Sri Damansara  
52200 Kuala Lumpur  
Malaysia  
www.nilfisk.com

### MEXICO

Nilfisk Advance de Mexico S. de R.L. de C.V.  
Agustin M. Chavez 1, PB-004  
Col. Centro Ciudad Santa Fe  
C.P. 01210 México, D.F.  
www.nilfisk-advance.com.mx

### NEW ZEALAND

Nilfisk-Advance NZ Ltd  
Danish House  
6 Rockridge Avenue  
Penrose Auckland NZ 1135  
www.nilfisk.com.au

### NORWAY

Nilfisk-Advance AS  
Bjørnerudvejen 24  
Oslo, N-1266  
www.nilfisk-alto.no

### POLAND

Nilfisk-Advance Sp. z o.o.  
ul. 3-go Maja 8, Bud. B4  
Pruszków, PL-05-800  
www.nilfisk-alto.pl

### PORTUGAL

Nilfisk-Advance, Lda.  
Sintra Business Park  
Zona Industrial Da Abrunheira  
Edificio 1, 1o A  
Sintra, P-2710-089  
www.nilfisk.pt

### RUSSIA

Nilfisk-Advance LLC  
Vyatskaya str. 27, bld. 7, 1st floor  
Moscow, 127015  
www.nilfisk.ru

### SOUTH AFRICA

WAP South Africa (Pty) Ltd  
12 Newton Street  
1620 Spartan, Kempton Park  
www.wap.co.za

### SINGAPORE

Nilfisk-Advance Pte Ltd  
22 Tuas Avenue 2  
Singapore 639453  
www.nilfisk.com

### SPAIN

Nilfisk-Advance, S.A.  
Torre D'Ara  
Passeig del Rengle, 5 Pta.10ª  
Mataró, E-0830222  
www.nilfisk.es

### SWEDEN

Nilfisk-ALTO  
Aminogatan 18  
Möndal, S-431 53  
www.nilfisk-alto.se

### SWITZERLAND

NA Sondergger AG  
Nilfisk-ALTO Generalvertretung  
Mühlestrasse 10  
CH-9100 Herisau  
www.nilfisk-alto.ch

### TAIWAN

Nilfisk-Advance Ltd.  
Taiwan Branch (H.K.)  
No. 5, Wan Fang Road, Taipei  
www.nilfisk-advance.com.tw

### THAILAND

Nilfisk-Advance Co. Ltd.  
89 Soi Chokechai-Ruammitr  
Viphavadee-Rangsit Road  
Jomphol, Jatuchak  
Bangkok 10900  
www.nilfisk.com

### TURKEY

Nilfisk-Advance A.S.  
Şerifali Mh. Bayraktar Bulv. Sehit Sk. No:7  
Ümraniye, Istanbul 34775  
www.nilfisk.com.tr

### UNITED KINGDOM

Nilfisk-ALTO  
Bowerbank Way, Gilwilly Industrial Estate  
Penrith, Cumbria  
GB-CA11 9BQ  
www.nilfisk-alto.co.uk

### UNITED ARAB EMIRATES

Nilfisk-Advance Middle East Branch  
SAIF-Zone, P. O. Box 122298  
Sharjah  
www.nilfisk.com

### USA

Nilfisk-Advance  
14600 21st Ave. North  
Plymouth MN 55447-3408  
www.nilfisk-alto.us

### VIETNAM

Nilfisk-Advance Co., Ltd.  
No.51 Doc Ngu Str. Lieu Giai Ward  
Ba Dinh Dist. Hanoi  
www.nilfisk.com