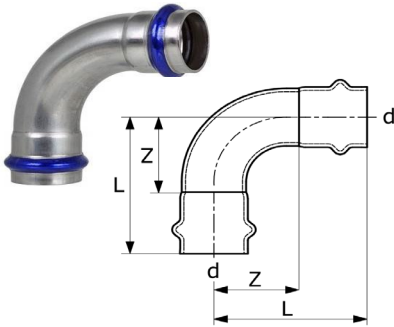
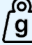


Curva 90°

Bend 90°

Bogen 90°

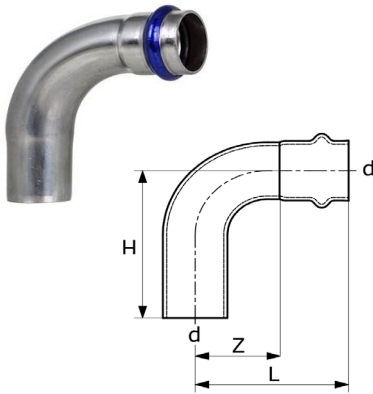


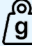
Code	d	L	Z		MOQ
S20ACVI-LBP	15	50	29	62	100
S20ADVI-LBP	18	55	34	75	100
S20AEVI-LBP	22	62	39	104	100
S20AFVI-LBP	28	73	49	149	60
S20ZGVI-LBP	35	73	46	182	60
S20ZHVI-LBP	42	94	62	283	30
S20ZJVI-LBP	54	111	74	419	20

Curva 90° MF

Bend 90° with plain end

Einsteckbogen 90°



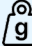
Code	d	L	H	Z		MOQ
S21ACVI-LBP	15	50	60	29	64	100
S21ADVI-LBP	18	55	66	34	77	100
S21AEVI-LBP	22	62	72	39	104	100
S21AFVI-LBP	28	73	82	49	150	50
S21ZGVI-LBP	35	73	81	46	183	50
S21ZHVI-LBP	42	94	102	62	282	20
S21ZJVI-LBP	54	111	120	74	421	20

Curva 45°

Bend 45°

Bogen 45°

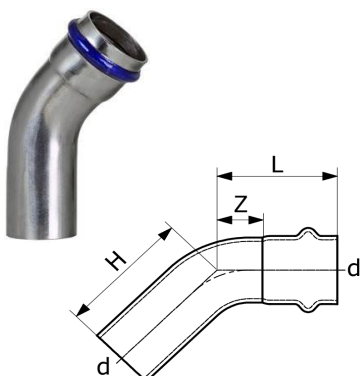


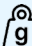
Code	d	L	Z		MOQ
S22ACVI-LBP	15	35	14	49	100
S22ADVI-LBP	18	38	17	59	100
S22AEVI-LBP	22	41	18	79	100
S22AFVI-LBP	28	48	24	112	50
S22ZGVI-LBP	35	56	29	160	50
S22ZHVI-LBP	42	64	32	222	20
S22ZJVI-LBP	54	72	35	313	20

Curva 45° MF

Bend 45° with plain end

Einsteckbogen 45°



Code	d	L	H	Z		MOQ
S23ACVI-LBP	15	35	43	14	50	100
S23ADVI-LBP	18	38	48	17	61	100
S23AEVI-LBP	22	41	48	18	78	100
S23AFVI-LBP	28	48	55	24	112	50
S23ZGVI-LBP	35	56	67	29	164	50
S23ZHVI-LBP	42	64	73	32	222	20
S23ZJVI-LBP	54	72	81	35	387	20