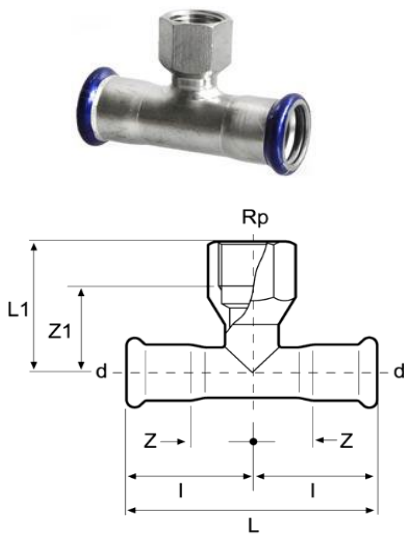


Tee
T-piece equal
T-Stück

Code	d	L	L1	Z	Z1	I		MOQ
S40AB-LBP	12	56	33	10	15	28	49	100
S40AC-LBP	15	73	35	15	14	36	71	100
S40AD-LBP	18	77	37	17	16	38	84	100
S40AE-LBP	22	83	41	18	18	41	110	100
S40AF-LBP	28	92	47	22	23	46	151	80
S40AG-LBP	35	101	53	23	26	50	200	50
S40AH-LBP	42	118	61	27	29	59	281	20
S40AJ-LBP	54	142	74	34	37	71	419	20
S40AK	76,1	232	110	61	55	116	1.274	5
S40AL	88,9	262	129	68	66	131	1.691	5
S40AM	108	312	154	79	77	156	2.458	5



Adattatore tee - filetto femmina
T-piece with female thread
T-Stück mit I.G. Abgang

Code	d - Rp - d	L	L1	Z	Z1	I		MOQ
S42PC-LBP	15-Rp $\frac{1}{2}$ -15	73	37	15	25	36	84	100
S42PD-LBP	18-Rp $\frac{1}{2}$ -18	77	39	17	27	38	102	80
S42QD-LBP	18-Rp $\frac{3}{4}$ -18	77	43	17	30	38	127	50
S42PE-LBP	22-Rp $\frac{1}{2}$ -22	83	41	18	29	41	122	100
S42QE-LBP	22-Rp $\frac{3}{4}$ -22	83	41	18	28	41	139	80
S42PF-LBP	28-Rp $\frac{1}{2}$ -28	92	44	22	32	46	153	80
S42QF-LBP	28-Rp $\frac{3}{4}$ -28	92	45	22	32	46	170	50
S42RF-LBP	28-Rp1-28	92	48	22	32	46	194	30
S42PG-LBP	35-Rp $\frac{1}{2}$ -35	101	46	23	34	50	189	50
S42QG-LBP	35-Rp $\frac{3}{4}$ -35	101	47	23	34	50	206	50
S42RG-LBP	35-Rp1-35	101	51	23	35	50	229	20
S42SG-LBP	35-Rp1 $\frac{1}{4}$ -35	101	55	23	38	50	295	20
S42PH-LBP	42-Rp $\frac{1}{2}$ -42	118	47	27	35	59	264	20
S42QH-LBP	42-Rp $\frac{3}{4}$ -42	118	51	27	38	59	268	20
S42RH-LBP	42-Rp1-42	118	55	27	39	59	292	20
S42TH-LBP	42-Rp1 $\frac{1}{2}$ -42	118	58	27	41	59	427	20
S42PJ-LBP	54-Rp $\frac{1}{2}$ -54	142	53	34	41	71	372	15
S42QJ-LBP	54-Rp $\frac{3}{4}$ -54	142	58	34	45	71	376	15
S42RJ-LBP	54-Rp1-54	142	62	34	46	71	400	15
S42VJ-LBP	54-Rp2-54	142	71	34	49	71	608	15
S42QK	76,1-Rp $\frac{3}{4}$ -76,1	232	69	61	56	116	1.038	5
S42VK	76,1-Rp2-76,1	232	82	61	60	116	1.264	5
S42QL	88,9-Rp $\frac{3}{4}$ -88,9	262	77	68	64	131	1.353	5
S42RL	88,9-Rp1-88,9	262	81	68	65	131	1.376	5
S42VL	88,9-Rp2-88,9	262	90	68	68	131	1.579	5
S42QM	108-Rp $\frac{3}{4}$ -108	312	86	79	73	156	1.946	5
S42RM	108-Rp1-108	312	90	79	74	156	1.970	5
S42TM	108-Rp1 $\frac{1}{2}$ -108	312	94	79	71	156	2.103	5
S42VM	108-Rp2-108	312	99	79	77	156	2.171	5