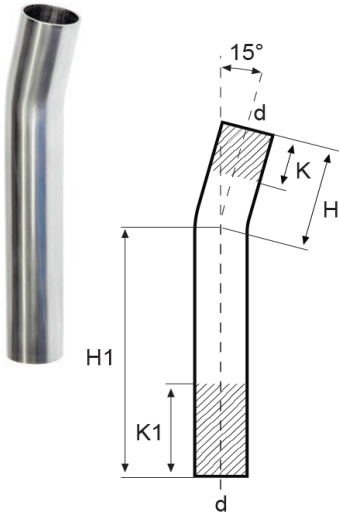

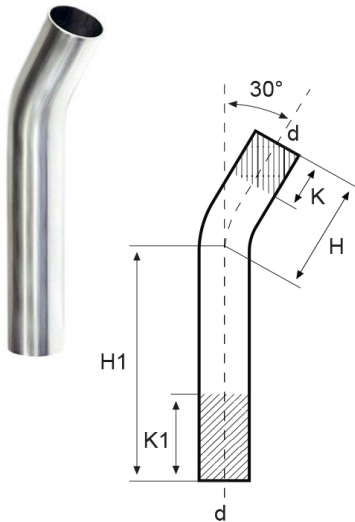



**Tubo curvo 15°**  
**Bend 15° with plain ends**  
**Passbogen 15°**



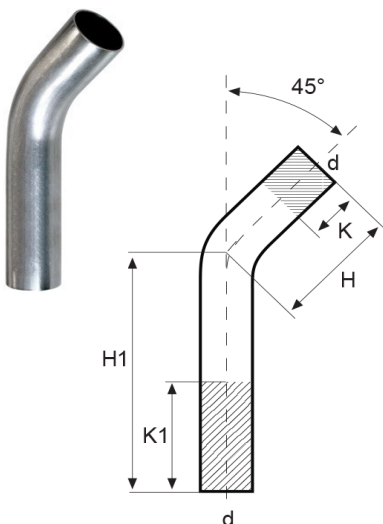
| Code  | d    | H1  | H   | K  | K1  |  | MOQ |
|-------|------|-----|-----|----|-----|---|-----|
| S75AC | 15   | 122 | 60  | 21 | 83  | 60  | 30  |
| S75AD | 18   | 128 | 55  | 15 | 88  | 74  | 30  |
| S75AE | 22   | 124 | 50  | 7  | 81  | 134   | 30  |
| S75AF | 28   | 136 | 45  | 7  | 47  | 178   | 20  |
| S75AG | 35   | 234 | 62  | 30 | 110 | 378   | 15  |
| S75AH | 42   | 276 | 94  | 44 | 144 | 542   | 10  |
| S75AJ | 54   | 337 | 117 | 65 | 165 | 884   | 10  |
| S75AK | 76,1 | 230 | 226 | 65 | 65  | 1.580   | 5   |
| S75AL | 88,9 | 260 | 240 | 80 | 80  | 1.954   | 5   |
| S75AM | 108  | 291 | 222 | 95 | 95  | 2.516   | 5   |


**Tubo curvo 30°**  
**Bend 30° with plain ends**  
**Passbogen 30°**



| Code  | d    | H1  | H   | K  | K1  |  | MOQ |
|-------|------|-----|-----|----|-----|---|-----|
| S74AC | 15   | 122 | 60  | 21 | 83  | 57  | 30  |
| S74AD | 18   | 128 | 55  | 16 | 89  | 74  | 30  |
| S74AE | 22   | 124 | 50  | 6  | 80  | 134   | 30  |
| S74AF | 28   | 130 | 54  | 7  | 47  | 258   | 20  |
| S74AG | 35   | 218 | 80  | 30 | 110 | 376   | 15  |
| S74AH | 42   | 274 | 98  | 44 | 144 | 558   | 10  |
| S74AJ | 54   | 324 | 137 | 65 | 165 | 912   | 10  |
| S74AK | 76,1 | 200 | 202 | 66 | 66  | 1.350   | 5   |
| S74AL | 88,9 | 262 | 264 | 80 | 80  | 2.110   | 5   |
| S74AM | 108  | 259 | 272 | 95 | 95  | 2.622   | 5   |

**Tubo curvo 45°**  
**Bend 45° with plain ends**  
**Passbogen 45°**



| Code  | d    | H1  | H   | K   | K1  |  | MOQ |
|-------|------|-----|-----|-----|-----|---|-----|
| S73AC | 15   | 120 | 62  | 19  | 77  | 62  | 30  |
| S73AD | 18   | 124 | 58  | 16  | 82  | 73  | 30  |
| S73AE | 22   | 120 | 56  | 7   | 71  | 132   | 30  |
| S73AF | 28   | 122 | 58  | 2   | 66  | 160   | 20  |
| S73AG | 35   | 206 | 94  | 20  | 132 | 375   | 15  |
| S73AH | 42   | 262 | 114 | 1   | 149 | 562   | 10  |
| S73AJ | 54   | 321 | 146 | 37  | 212 | 906   | 10  |
| S73AK | 76,1 | 225 | 225 | 69  | 69  | 1.618   | 5   |
| S73AL | 88,9 | 267 | 267 | 103 | 103 | 2.078   | 5   |
| S73AM | 108  | 293 | 293 | 66  | 66  | 2.988   | 5   |