

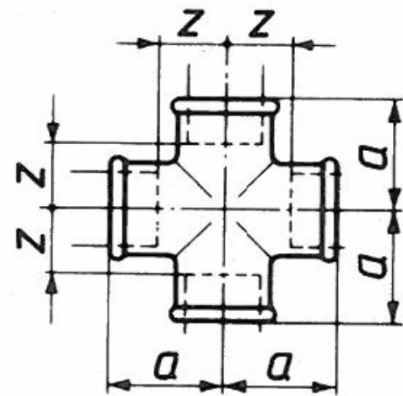
180-ISO/EN C1

a

z

DN 8	1/4"	21
DN 10	3/8"	25
DN 15	1/2"	28
DN 20	3/4"	33
DN 25	1"	38
DN 32	1 1/4"	45
DN 40	1 1/2"	50
DN 50	2"	58
DN 65	2 1/2"	69
DN 80	3"	78
DN 100	4"	96

11
15
15
18
21
26
31
34
42
48
60



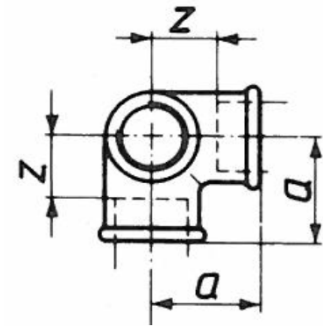
221-ISO/EN Za1

a

z

DN 10	3/8"	25
DN 15	1/2"	28
DN 20	3/4"	33
DN 25	1"	38
DN 32	1 1/4"	45
DN 40	1 1/2"	50
DN 50	2"	58

15
15
18
21
26
31
34



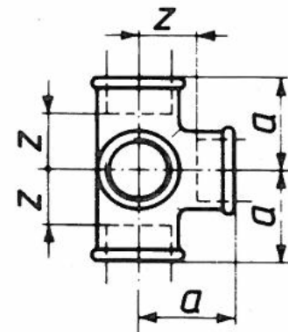
223-ISO/EN Za2

a

z

DN 15	1/2"	28
DN 20	3/4"	33
DN 25	1"	38

15
18
21



240 - ISO/EN M2

a

z2

DN 8 x 6 (1/4"x1/8")	27
DN 10 x 6 (3/8"x1/8")	30
DN 10 x 8 (3/8"x1/4")	30
DN 15 x 8 (1/2"x1/4")	36
DN 15 x 10 (1/2"x3/8")	36
DN 20 x 8 (3/4"x1/4")	39
DN 20 x 10 (3/4"x3/8")	39
DN 20 x 15 (3/4"x1/2")	39
DN 25 x 10 (1"x3/8")	45
DN 25 x 15 (1"x1/2")	45

10
13
10
13
13
14
14
11
18
15

