

Update: 01/2023



ACCIAIO INOX AISI 316L
STAINLESS STEEL AISI 316L
EDELSTAHL AISI 316L



Germany



Switzerland



Norway

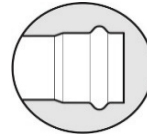


ACCIAIO AL CARBONIO
CARBON STEEL
C-STAHl

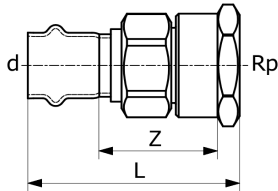


Sweden

RI
SE



RISE

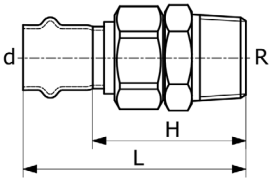


Girella con dado in ottone, raccordo femmina e guarnizione piatta in EPDM

Adaptor union with female thread, brass nut and EPDM flat seal

Übergangsverschraubung I.G. mit EPDM-Flachdichtung und Messingmutter

Code	d - Rp	L	Z			MOQ
C62PCVI-LBP	15-Rp $\frac{1}{2}$	66	34	175	10	40
C62QCVI-LBP	15-Rp $\frac{3}{4}$	67	34	208	10	40
C62PDVI-LBP	18-Rp $\frac{1}{2}$	66	34	176	10	40
C62QDVI-LBP	18-Rp $\frac{3}{4}$	69	34	210	10	40
C62QEVI-LBP	22-Rp $\frac{3}{4}$	67	34	234	10	40
C62REVI-LBP	22-Rp1	73	36	286	10	40
C62RFVI-LBP	28-Rp1	77	39	453	10	30
C62SGVI-LBP	35-Rp $\frac{1}{4}$	81	37	547	8	24
C62THVI-LBP	42-Rp $\frac{1}{2}$	92	43	661	5	16
C62VJVI-LBP	54-Rp2	104	46	1.185	4	16

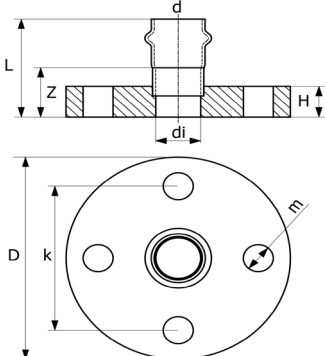


Girella con dado in ottone, raccordo maschio e guarnizione piatta in EPDM

Adaptor union with male thread, brass nut and EPDM flat seal

Übergangsverschraubung A.G. mit EPDM-Flachdichtung und Messingmutter

Code	d - R	L	H			MOQ
C64PCVI-LBP	15-R $\frac{1}{2}$	69	48	152	10	40
C64QCVI-LBP	15-R $\frac{3}{4}$	72	51	181	10	40
C64PDVI-LBP	18-R $\frac{1}{2}$	69	48	153	10	40
C64QDVI-LBP	18-R $\frac{3}{4}$	72	51	183	10	40
C64PEVI-LBP	22-R $\frac{1}{2}$	73	50	258	10	40
C64QEVI-LBP	22-R $\frac{3}{4}$	75	52	232	10	40
C64REVI-LBP	22-R1	79	56	298	10	40
C64RFVI-LBP	28-R1	82	58	450	10	30
C64SGVI-LBP	35-R $\frac{1}{4}$	89	62	567	8	24
C64THVI-LBP	42-R $\frac{1}{2}$	100	68	705	4	16
C64VJVI-LBP	54-R2	113	76	1.162	4	16



Flangia con bicchiere PN 10/16

Flange with pressing socket PN 10/16

Übergangsflansch PN 10/16

Code	d	D	di	L	H	m	k	Z			MOQ
C52AEVI-LBP	22	105	21	66	16	14	75	43	1.016	1	20
C52AFVI-LBP	28	115	27	68	16	14	85	44	1.219	1	20
C52AGVI-LBP	35	140	32	75	18	18	100	48	2.002	1	20
C52AHVI-LBP	42	150	39	84	18	18	110	52	2.303	1	20
C52AJVI-LBP	54	165	54	92	18	18	125	55	2.755	1	20