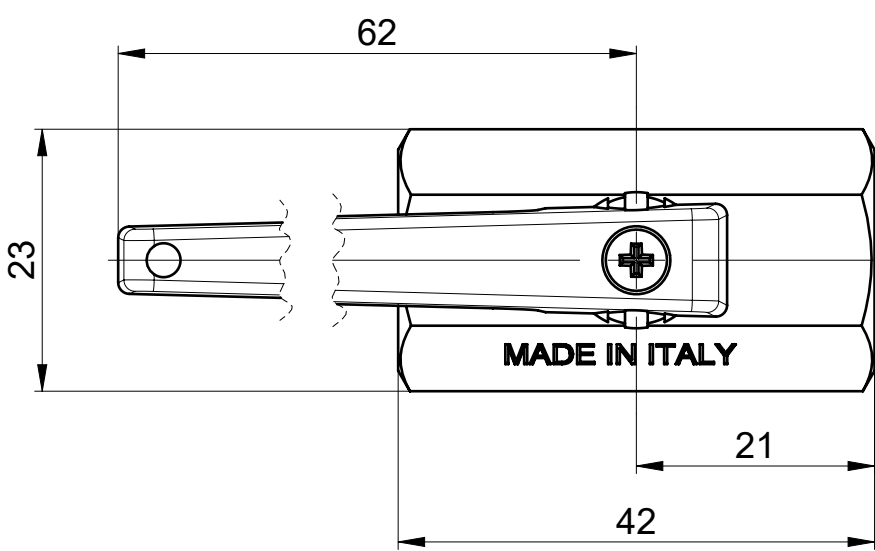
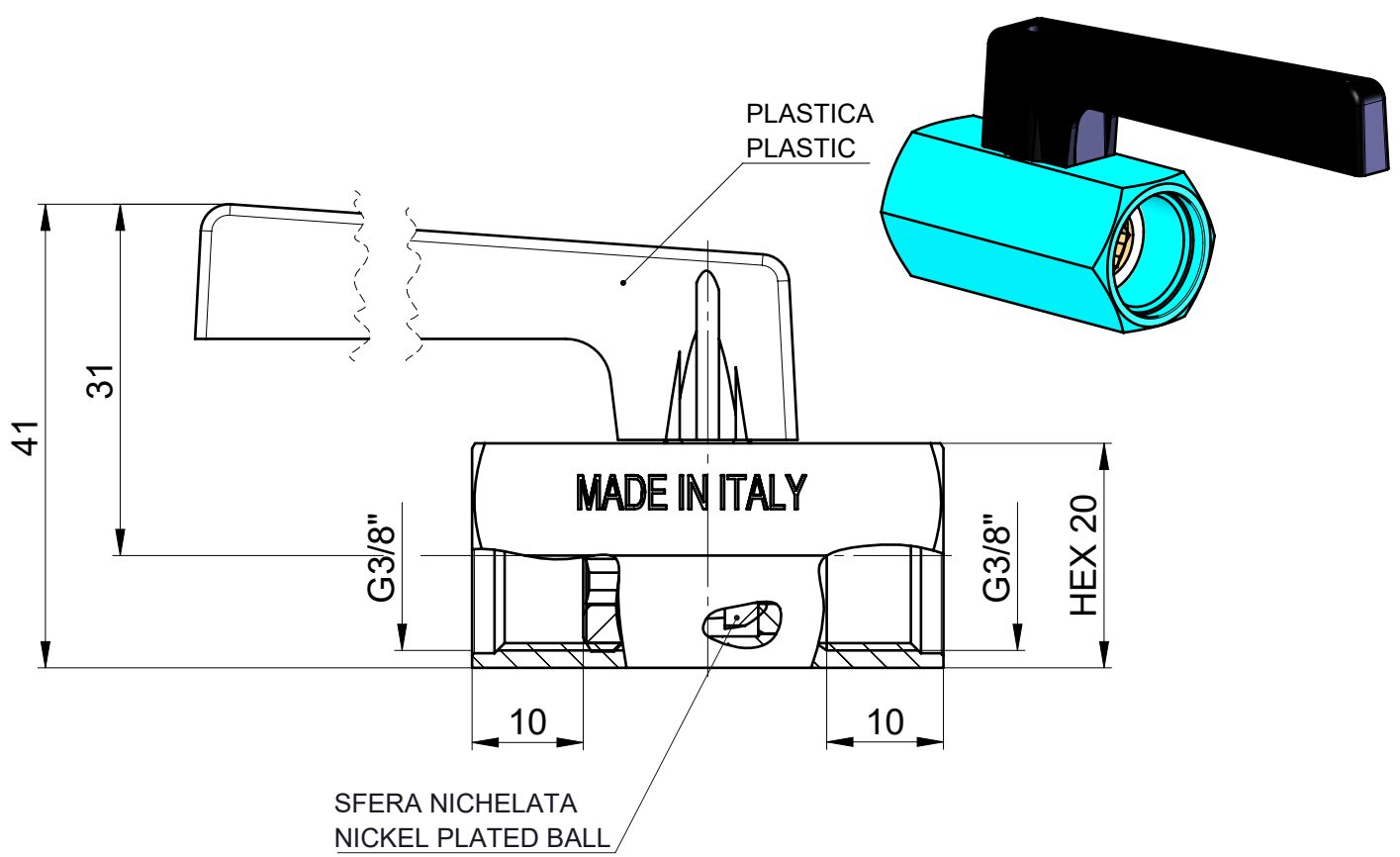


The exclusive ownership of this drawing is of Eurotermo Srl and in no case does the recipient acquire any rights relating to it. The recipient of the drawing undertakes to maintain maximum confidentiality on the same and not to make any use of it, in whole or in part, that is not previously authorized in writing by Eurotermo Srl. The recipient also undertakes to impose and guarantee compliance with the aforementioned obligations to its employees and / or collaborators, including external ones, by responding to Eurotermo Srl of any violations on their part.

| | | | |
|--|--|---|---|
| 1 | 2 | 3 | 4 |
| Normative / Stds reference UNI EN 13828:2004 | Condizioni di utilizzo / Terms of Use | | |
| Compatibilità / Compatibility UBA list | Acqua Pressione massima 10bar Temperatura massima in continuo 70°C Temperatura di picco 90°C Temperatura minima -10°C No SHOCK termico Funzionalità garantita solo a valvola aperta o chiusa, non parzialmente aperta o chiusa | Water Maximum pressure 10bar Maximum temperature in continuous 70°C Peak temperature 90°C Minimum temperature -10°C No thermal SHOCK Functionality is guaranteed only with open or closed valve, not partially open or closed | |
| Certificazioni / Homologations - | | | |



| | | | | | | |
|--|---|--|----------------------------------|---|-----------------------------|---------------------|
| | DISEGNATO/DRAWN D. Bertoli | DATA/DATE 15/05/2024 | APPROVATO/CHECKED M.S. | DATA/DATE 15/05/2024 | SCALA/SCALE 1.5:1 | FORMAT A4 |
| | MATERIALE BASE/BASE MATERIAL UNI EN 12164 CW617N-DW | ASPETTO / APPEARANCE CROMATO / CHROME PLATED | | TENUTA SFERA/SPHERE SEAL guarnizione in PTFE VERGINE/VIRGIN PTFE gasket | | |
| NUM.DIS/DRAW.-NR. 010101203-DS | DESCRIZIONE/DESCRIPTION VALVOLA A SFERA "MINI" DN8 G3/8"F x G3/8"F LEVA LUNGA NERA BALL VALVE "MINI" DN8 G3/8"F x G3/8"F WITH BLACK HANDLE | | | | | |