

inter BÄR GmbH + Co. KG, Hälverstr. 43, 58579 Schalksmühle, Tel. 02355/893-0, FAX 02355/893-190  
Person in charge: Robert Thieltges 893-130

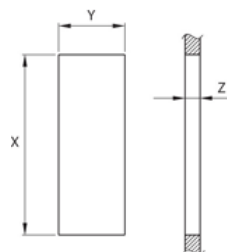
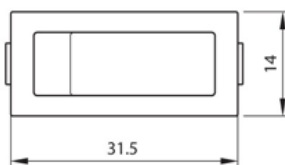
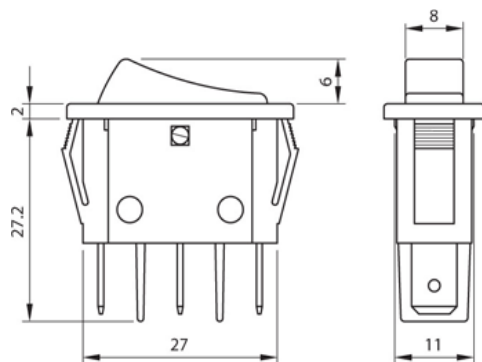
## Technical data sheet

### Article Description

#### Rocker Switch Type 3652

16 (8) A, 250 V, **change-over-switch**, 1-pole, T 125 ° C,  
non-illuminated, **without „zero“ position**,  
snap-in mounting cut-out 11 x 30 mm,  
faston 6,3 mm x 0,8 mm

### Article Picture



Z	Y	X
0.7 ... 1.25	11.0 <sup>+0.2</sup> <sub>0</sub>	30.0 <sup>0</sup> <sub>-0.1</sub>
1.25 ... 2.0	11.0 <sup>+0.2</sup> <sub>0</sub>	30.2 <sup>0</sup> <sub>-0.1</sub>
2.0 ... 3.0	11.0 <sup>+0.2</sup> <sub>0</sub>	30.6 <sup>0</sup> <sub>-0.2</sub>
3.0 ... 4.0	11.0 <sup>+0.2</sup> <sub>0</sub>	30.8 <sup>0</sup> <sub>-0.2</sub>

inter BÄR-item no.	housing/rocker	Version
3652-100.22	black/black	without rocker printing