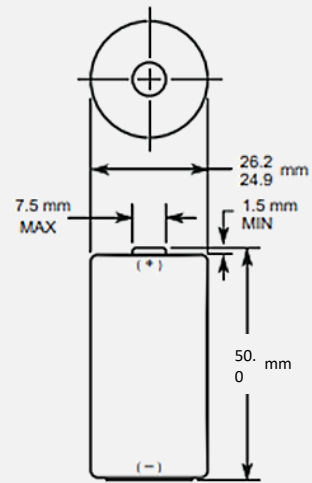


## ALKALINE-MANGANESE DIOXIDE BATTERY



Size: C (LR14) PC1400



Dimensions shown are IEC standards

### KEY FEATURES

- Reliable Performance
- Excellent resistance to corrosion
- Designed to meet all major quality, safety and environmental standards:
  - Safety: IEC 60086-5
  - ANSI C 18.1M, Part-2
  - EU Battery Directive
  - Quality: ISO 14001 and 9001, Duracell World Class Continuous Improvement Program

### TYPICAL APPLICATIONS

- Clocks
- Multimeters
- Flashlights
- Scales

### ELECTRICAL CHARACTERISTICS

- |   |           |
|---|-----------|
| ▪ Nominal capacity (25 mA Cont., .8V cut-off) | 9,038 mAh |
| ▪ Typical Voltage (at + 20 °C)                | 1.5 V     |
| ▪ AC Impedance @ 1kHz                         | 150 mΩ    |

### PHYSICAL CHARACTERISTICS

- |                  |   |
|------------------|---|
| ▪ Typical weight | 70.7 g (2.5 oz)                             |
| ▪ Typical volume | 26.9 cm <sup>3</sup> (1.6 in <sup>3</sup> ) |
| ▪ Terminals      | Flat  |

### OPERATING & STORAGE CONDITIONS

- |  |                                  |
|--|----------------------------------|
| ▪ Operating temperature range  | -20°C to 54°C<br>(-4°F to 130°F) |
| ▪ Recommended Storage (storage area should be clean, cool, dry and ventilated) | 5°C to 30°C<br>(41°F to 86°F)    |

**PROCELL**<sup>®</sup>

PROFESSIONAL BATTERIES

Procell Professional batteries

Berkshire Corporate Park

Phone: 1-800-544-5454 (Toll-free)

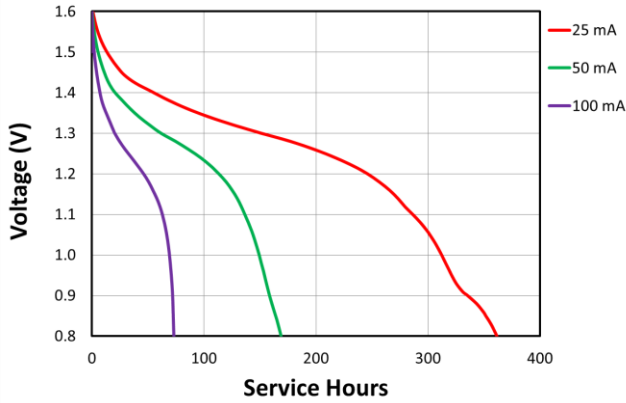
[www.procell.com](http://www.procell.com)

Delivered capacity is dependent on the applied load, operating temperature and cut-off voltage. Please refer to the charts and discharge data shown for examples of the energy/service life that the battery will provide for various load conditions.

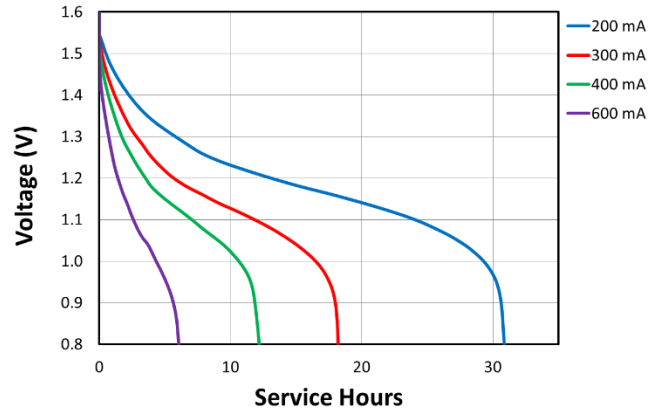
This data is subject to change. Performance information is typical. Contact Duracell for the latest information.

TYPICAL PERFORMANCE

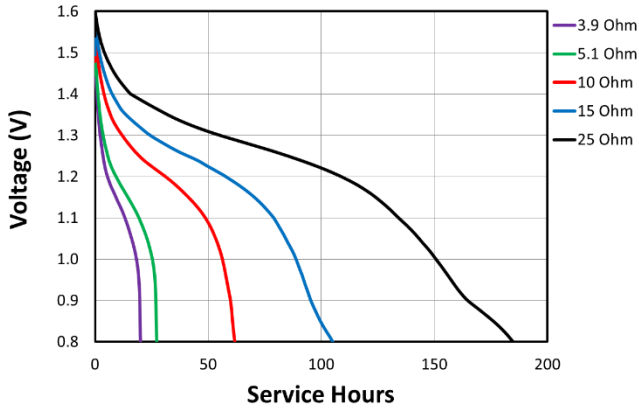
Constant Current



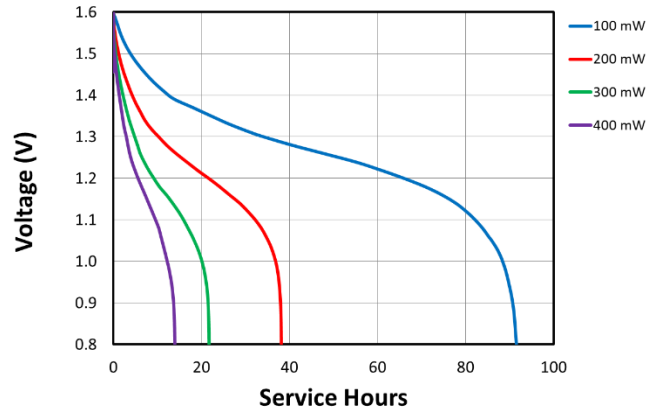
Constant Current



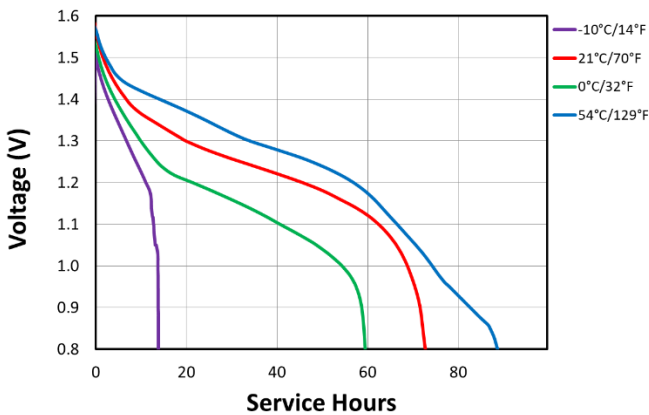
Constant Resistance



Constant Power



Constant Current - 100 mA



Delivered capacity is dependent on the applied load, operating temperature and cut-off voltage. Please refer to the charts and discharge data shown for examples of the energy/service life that the battery will provide for various load conditions.

This data is subject to change. Performance information is typical. Contact Duracell for the latest information.