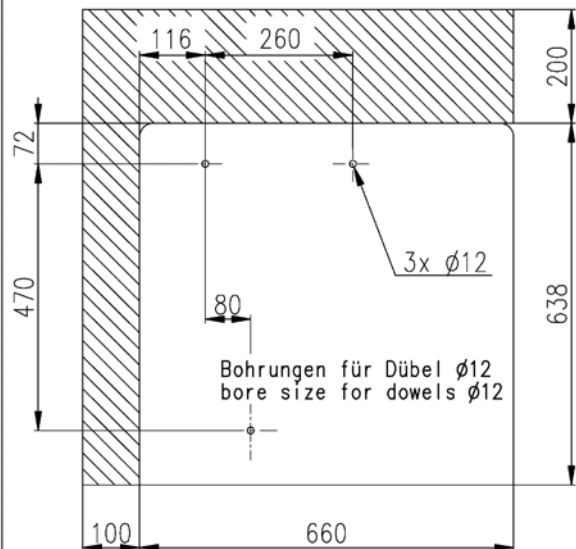


- notwendiges Handwerkzeug:
- Schlagbohrmaschine + Steinbohrer $\phi 12\text{mm}$
 - Schraubenschlüssel SW8
oder Bit (AW-Antrieb) Gr.TX25
 - Schraubenschlüssel SW17
 - Wasserwaage, Millimetermaßstab

- necessary hand tools:
- impact drilling machine + stone drill $\phi 12\text{mm}$
 - wrench size 8mm or screw driver bit size TX25
 - wrench size 17mm
 - water-level, folding rule,



minimaler Revisionsplatz
minimum revision place

Dübel $\phi 12$ / dowel $\phi 12$
- Art.Nr.: 2522246)

Stockschraube M10x120 /
wood to metal
dowel screw M10x120
- Art.Nr.:2522247

