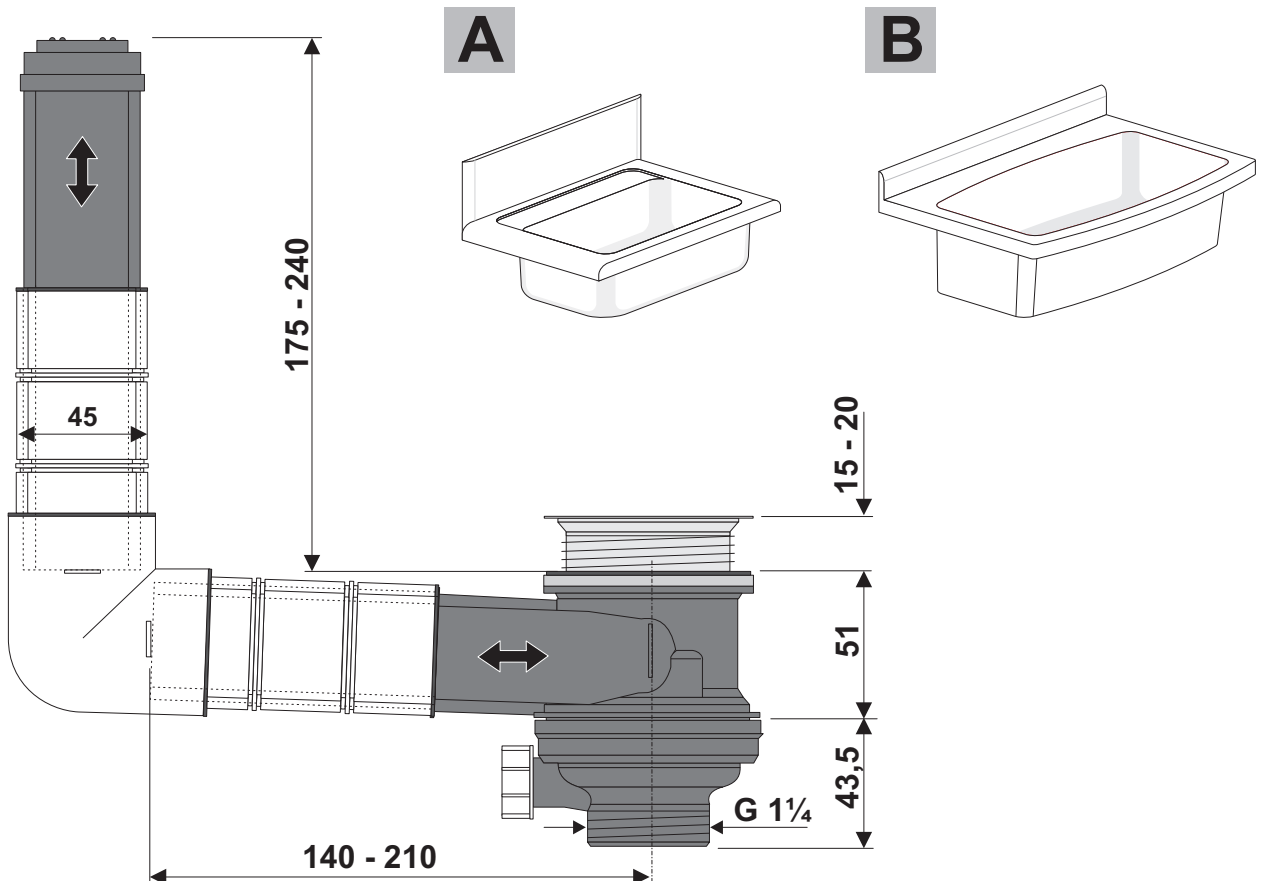
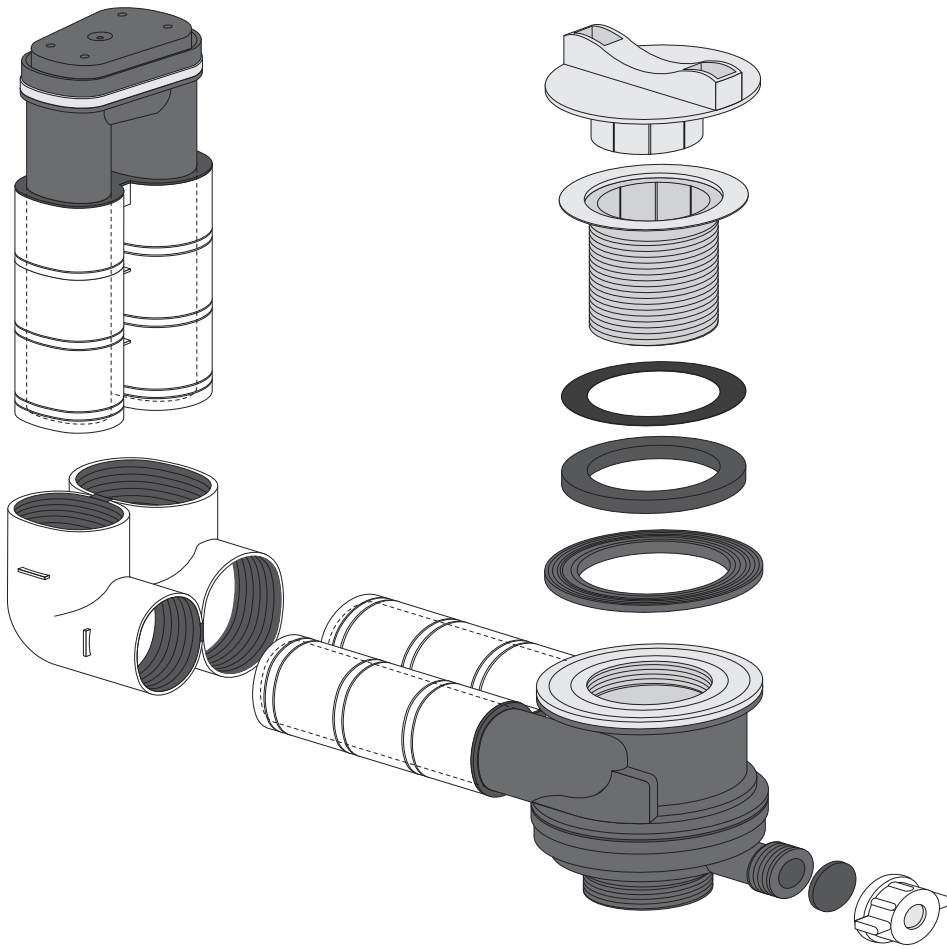
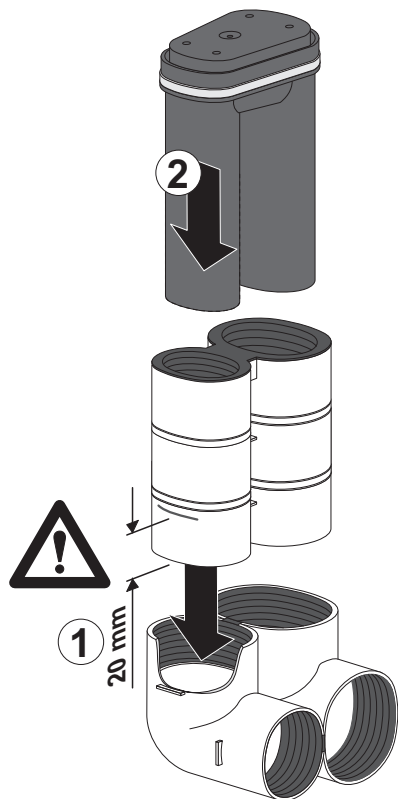


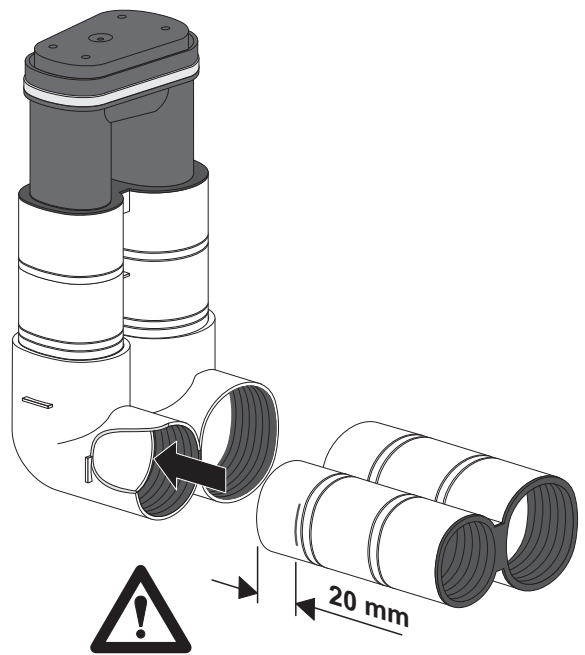
# INEO-FLUX SANIT



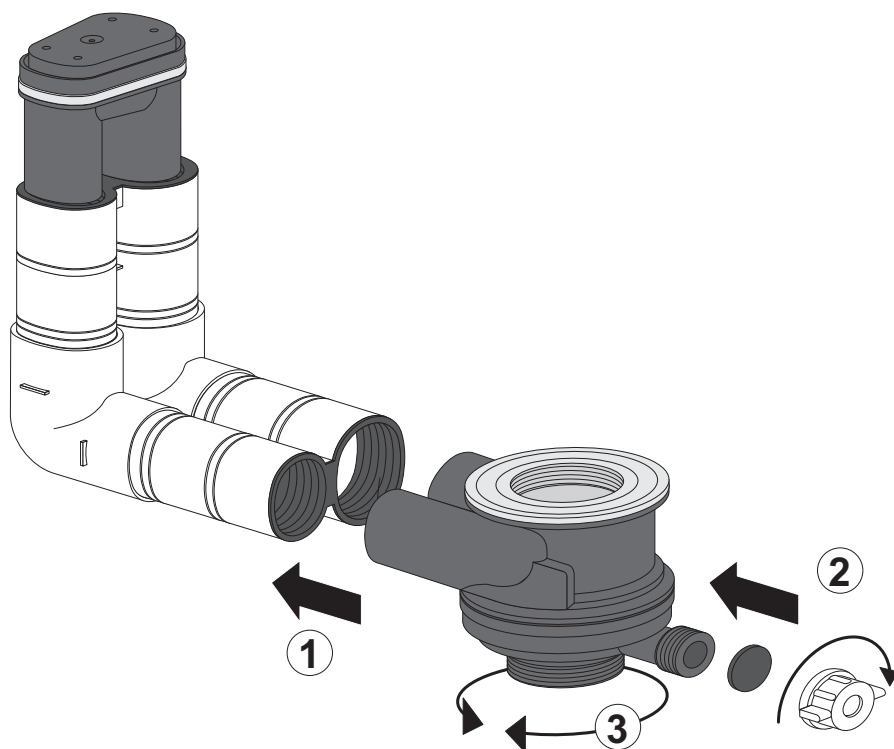
1



2

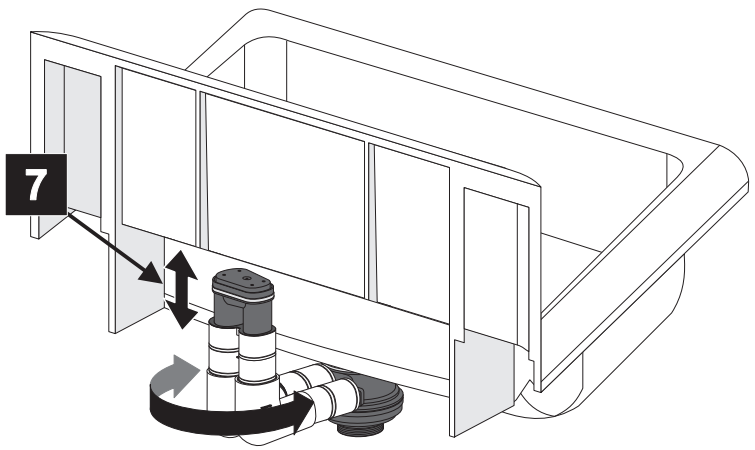
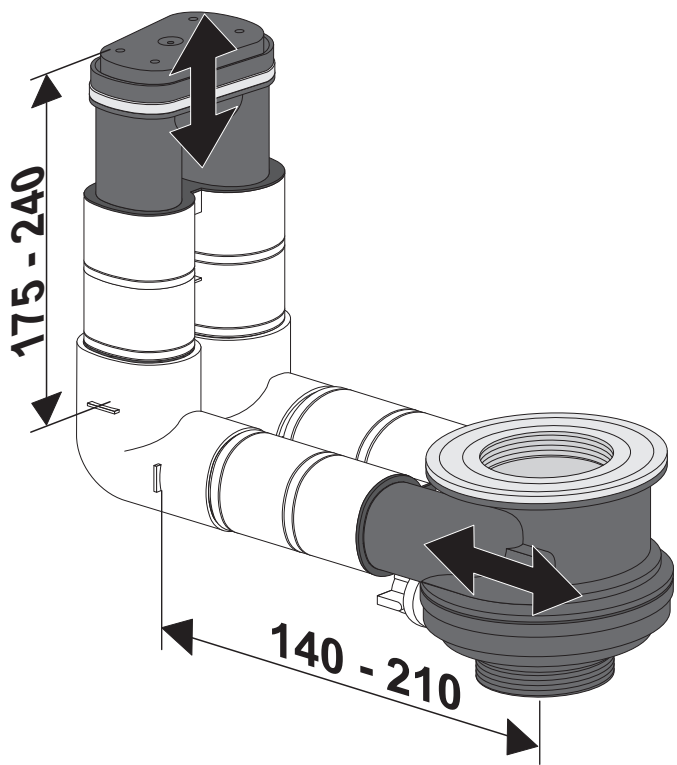


3

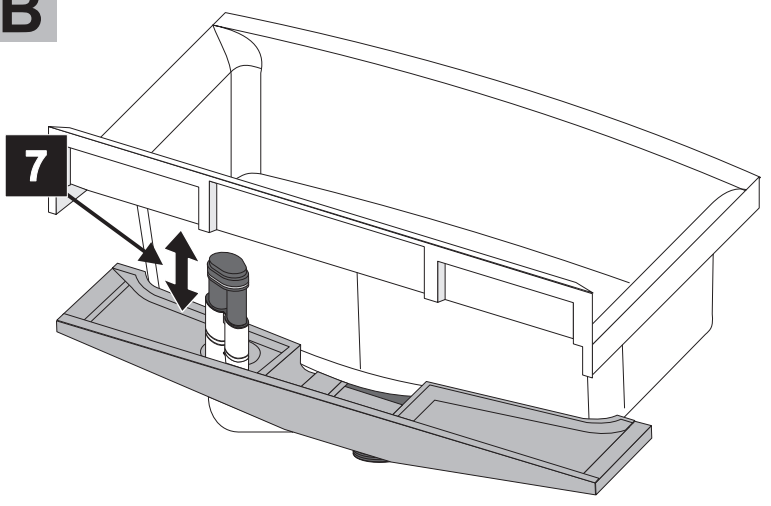
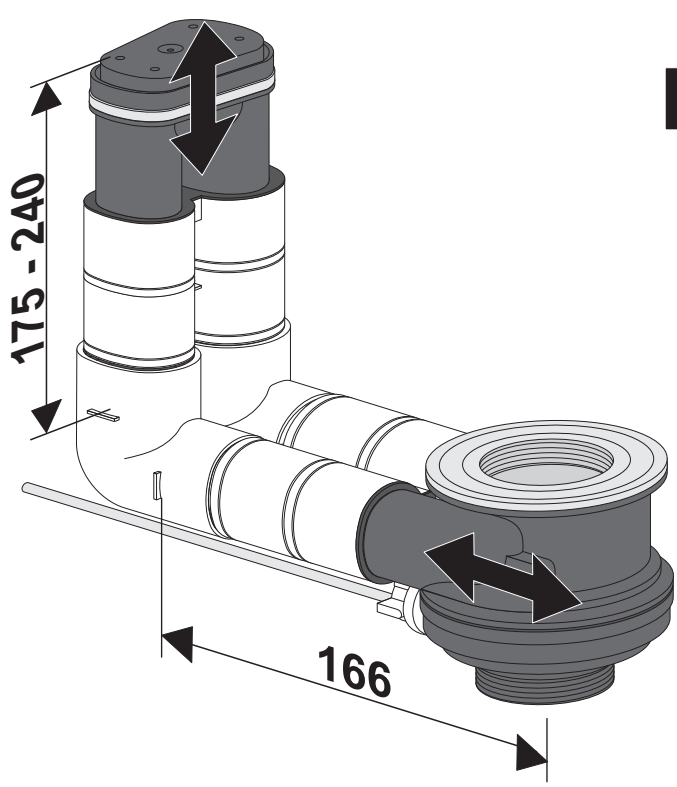


4

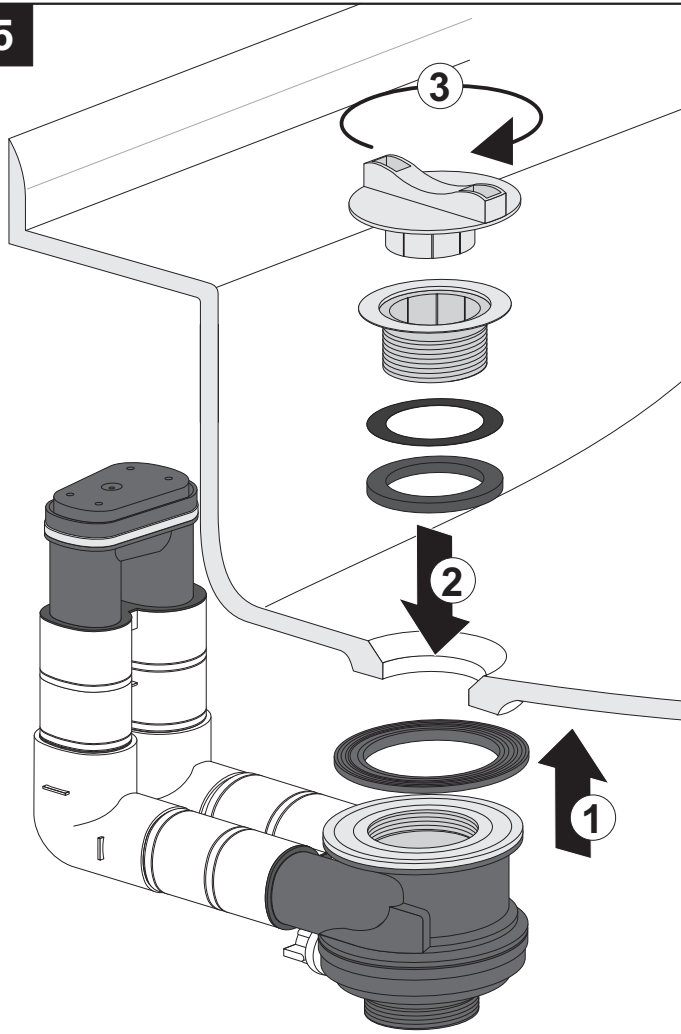
A



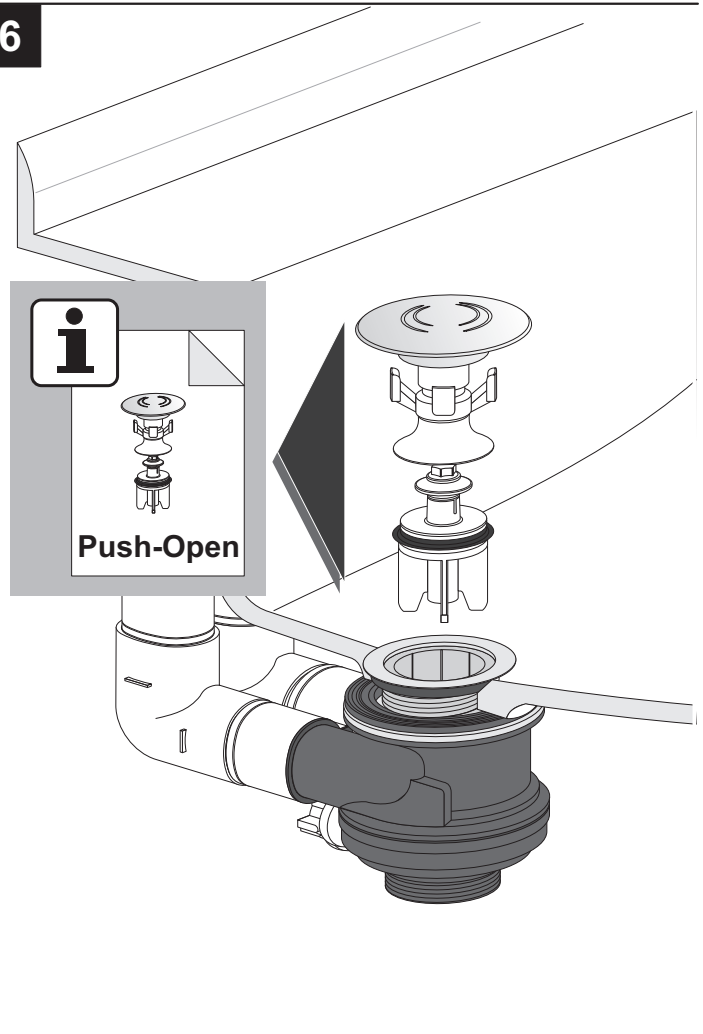
B



5



6



7

