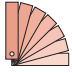
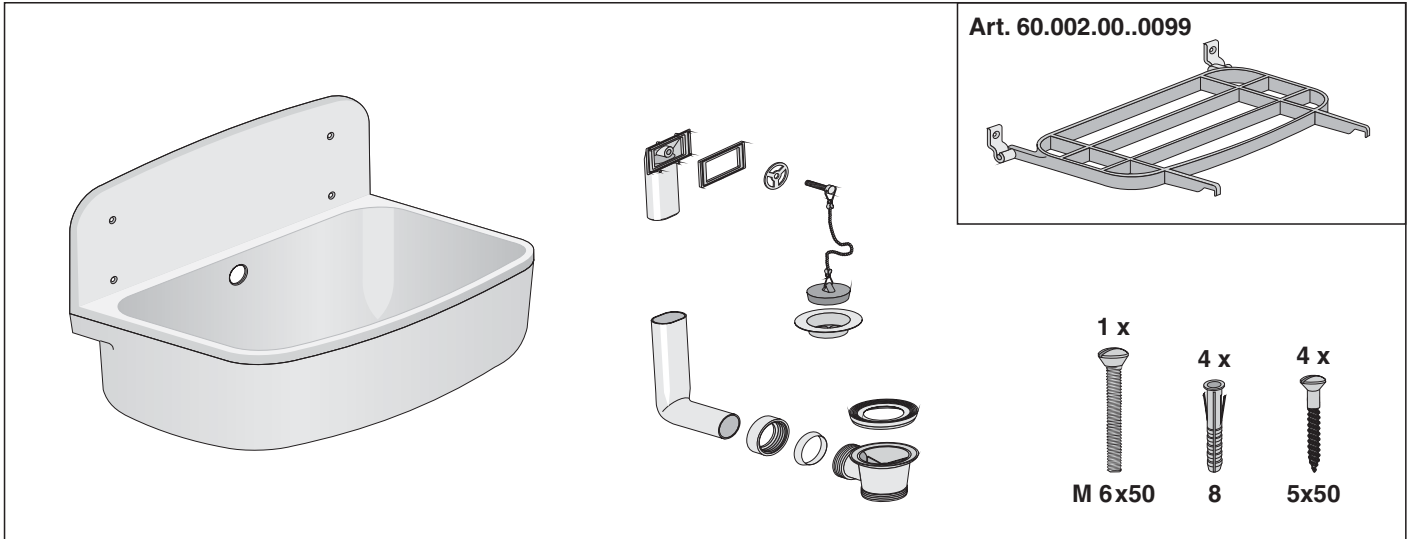


* xx = 



EM_A31.04..5300 • VIII/11

