
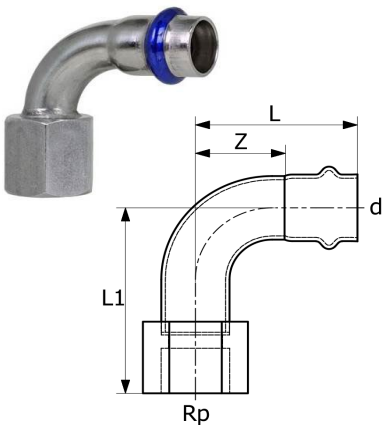



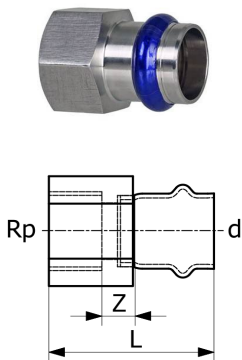
**Adattatore 90° - filetto maschio**  
**Bend adaptor 90° with male thread**  
**Übergangsbogen 90° A.G.**

Code	d - R	L	H	Z		MOQ
S83PCVI-LBP	15-R $\frac{1}{2}$	50	58	29	86	20
S83QDVI-LBP	18-R $\frac{3}{4}$	55	63	34	105	20
S83PDVI-LBP	18-R $\frac{1}{2}$	55	61	34	93	20
S83QEVI-LBP	22-R $\frac{3}{4}$	62	69	39	128	20
S83RFVI-LBP	28-R1	73	81	49	206	20
S83SGVI-LBP	35-R1 $\frac{1}{4}$	73	94	46	293	15
S83THVI-LBP	42-R1 $\frac{1}{2}$	94	116	62	396	15
S83VJVI-LBP	54-R2	111	143	74	683	15




**Adattatore 90° - filetto femmina**  
**Bend adaptor 90° with female thread**  
**Übergangsbogen 90° I.G.**

Code	d - Rp	L	L1	Z		MOQ
S82PCVI-LBP	15-Rp $\frac{1}{2}$	50	59	29	88	20
S82PDVI-LBP	18-Rp $\frac{1}{2}$	55	59	34	94	20
S82QDVI-LBP	18-Rp $\frac{3}{4}$	55	65	34	122	20
S82QEVI-LBP	22-Rp $\frac{3}{4}$	62	68	39	137	20
S82RFVI-LBP	28-Rp1	73	80	49	199	20



**Manicotto misto - filetto femmina**  
**Adaptor with female thread**  
**Übergangsmuffe I.G.**

Code	d - Rp	L	Z		MOQ
S80PCVI-LBP	15-Rp $\frac{1}{2}$	47	14	59	100
S80QCVI-LBP	15-Rp $\frac{3}{4}$	48	14	81	60
S80PDVI-LBP	18-Rp $\frac{1}{2}$	43	10	68	100
S80QDVI-LBP	18-Rp $\frac{3}{4}$	46	12	109	100
S80PEVI-LBP	22-Rp $\frac{1}{2}$	43	8	115	100
S80QEVI-LBP	22-Rp $\frac{3}{4}$	47	11	113	100
S80REVI-LBP	22-Rp1	49	10	155	80
S80QFVI-LBP	28-Rp $\frac{3}{4}$	50	13	177	80
S80RFVI-LBP	28-Rp1	54	14	152	80
S80RGVI-LBP	35-Rp1	83	40	155	50
S80SGVI-LBP	35-Rp1 $\frac{1}{4}$	72	28	203	50
S80THVI-LBP	42-Rp1 $\frac{1}{2}$	80	31	302	30
S80VJVI-LBP	54-Rp2	88	29	404	20