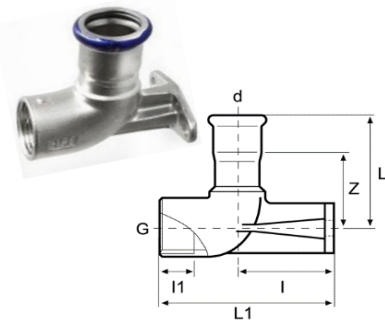


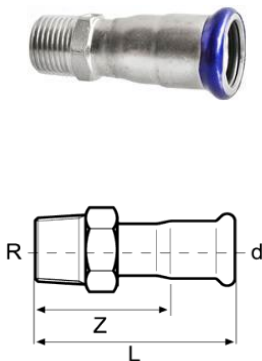
Gomito misto con flangia
90° female elbow adaptor with wall plate
Deckenwinkel 90° I.G.

Code	d - G (ISO 228)	L	L1	Z	I	I1	H	g		MOQ
S32PC-LBP	15-G $\frac{1}{2}$	47	43	26	13	13	34	5	112	80
S32PD-LBP	18-G $\frac{1}{2}$	47	43	26	13	13	34	5	107	60
S32QE-LBP	22-G $\frac{3}{4}$	52	51	29	17	15	40	6	163	60



Gomito misto con flangia lunga
90° female elbow adaptor with long wall plate
Deckenwinkel 90° I.G. abgesetzt

Code	d - G (ISO 228)	L	I	L1	Z	I1		MOQ
S33PC-LBP	15-G $\frac{1}{2}$	47	35	65	26	13	161	50
S33PD-LBP	18-G $\frac{1}{2}$	47	35	65	26	13	156	50
S33QE-LBP	22-G $\frac{3}{4}$	52	31	65	29	15	194	50



Manicotto misto - filetto maschio
Adaptor with male thread
Übergangsmuffe A.G.

Code	d - R	L	Z		MOQ
S81NB-LBP	12-R $\frac{3}{8}$	48	30	45	100
S81PB-LBP	12-R $\frac{1}{2}$	51	33	61	100
S81NC-LBP	15-R $\frac{3}{8}$	50	29	50	100
S81PC-LBP	15-R $\frac{1}{2}$	53	32	58	100
S81QC-LBP	15-R $\frac{3}{4}$	64	43	75	50
S81PD-LBP	18-R $\frac{1}{2}$	54	33	59	100
S81QD-LBP	18-R $\frac{3}{4}$	56	35	72	50
S81PE-LBP	22-R $\frac{1}{2}$	68	45	76	100
S81QE-LBP	22-R $\frac{3}{4}$	58	35	79	100
S81RE-LBP	22-R1	72	49	130	100
S81QF-LBP	28-R $\frac{3}{4}$	74	50	102	80
S81RF-LBP	28-R1	64	40	130	100
S81SF-LBP	28-R1 $\frac{1}{4}$	80	56	196	50
S81RG-LBP	35-R1	83	56	163	50
S81SG-LBP	35-R1 $\frac{1}{4}$	71	44	190	50
S81TG-LBP	35-R1 $\frac{1}{2}$	84	57	223	30
S81SH-LBP	42-R1 $\frac{1}{4}$	94	62	241	20
S81TH-LBP	42-R1 $\frac{1}{2}$	76	44	224	20
S81TJ-LBP	54-R1 $\frac{1}{2}$	106	69	302	20
S81VJ-LBP	54-R2	87	50	405	20
S81XK	76,1-R 2 $\frac{1}{2}$	125	70	889	5
S81YL	88,9-R 3	140	77	1.272	5