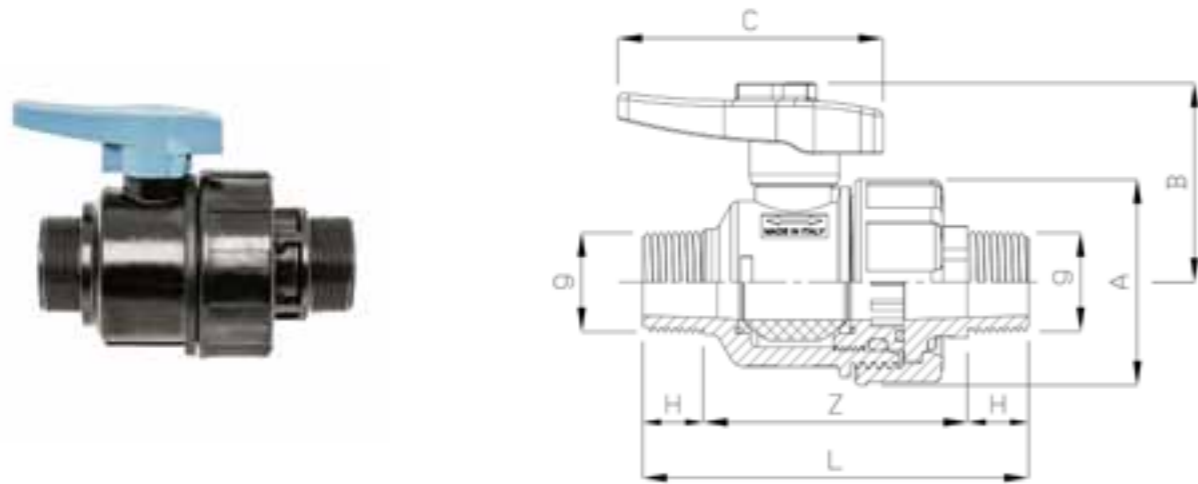


CODE 1074

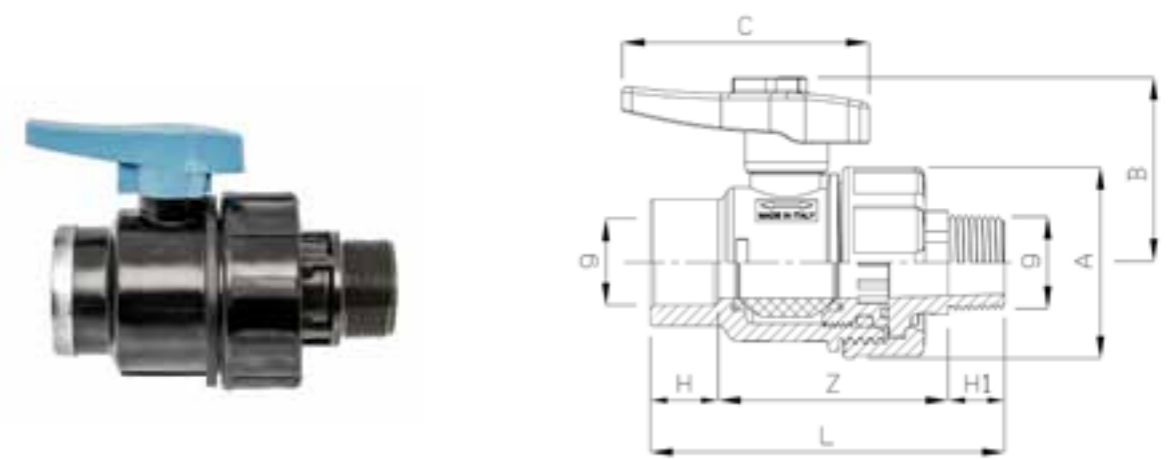
Ball valve male male threaded - Kugelhahn Gewinde Außen/Außen - Шаровой клапан с внешней резьбой



CODE	gxg [inch]	Z [mm]	L [mm]	H [mm]	A [mm]	B [mm]	C [mm]	PN [bar]
1074002002001	1/2"x1/2"	67	99	16	50	51	68	16
1074003003001	3/4"x3/4"	77	111	17	60	60	76	16
1074004004001	1"x1"	86	126	20	68	67	89	16
1074005005001	1"1/4x1"1/4	107	153	23	80	77	100	16
1074006006001	1"1/2x1"1/2	118	164	23	95	88	116	16
1074007007001	2"x2"	135	189	27	116	100	127	16

CODE 1075

Ball valve female male threaded - Kugelhahn Gewinde Innen/Außen - Шаровой клапан с внутренней резьбой, с внешней резьбой



CODE	gxg [inch]	Z [mm]	L [mm]	H [mm]	H1 [mm]	A [mm]	B [mm]	C [mm]	PN [bar]
1075002002001	1/2"x1/2"	64	97	17	16	50	51	68	16
1075003003001	3/4"x3/4"	75	110	18	17	60	60	76	16
1075004004001	1"x1"	81	122	21	20	68	67	89	16
1075005005001	*1"1/4x1"1/4	102	149	24	23	80	77	100	16
1075006006001	*1"1/2x1"1/2	113	160	24	23	95	88	116	16
1075007007001	*2"x2"	135	189	27	27	116	100	127	16

*The female threaded end is reinforced with a stainless steel ring
 *Die Innengewindemündung wird durch einen Edelstahlring verstärkt
 *Вход с внутренней резьбой укреплен кольцом из н/ж стали