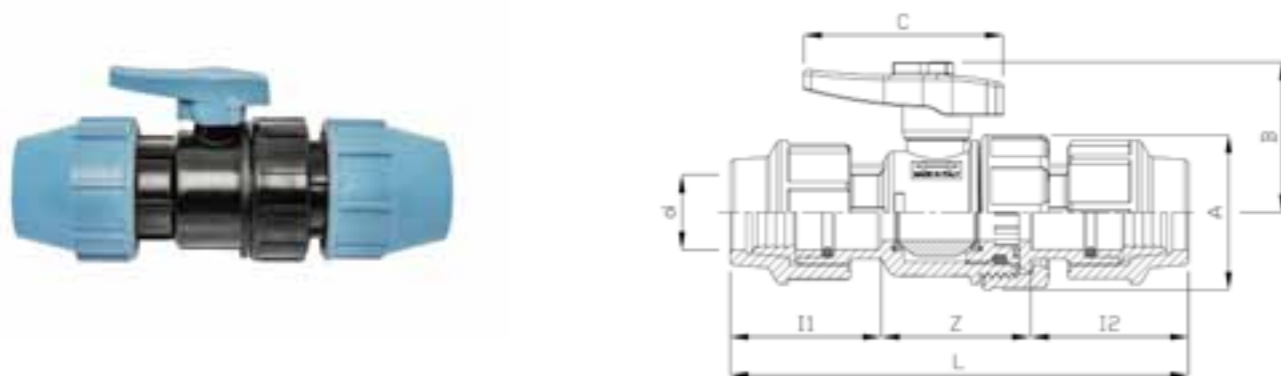


CODE 1070



Compression ball valve - Druckkugelhahn - Компрессионный шаровой клапан

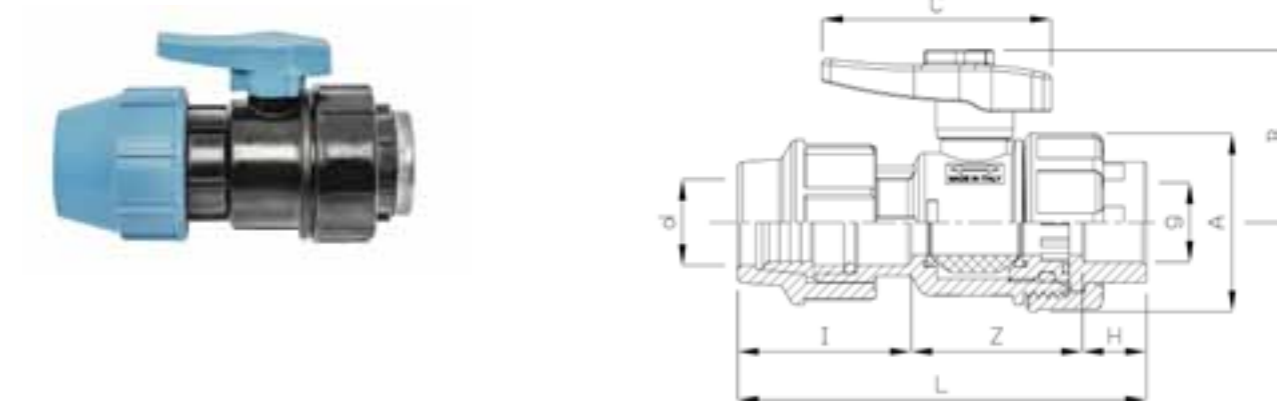


CODE	dxd [mm]	Z [mm]	L [mm]	I ₁ [mm]	I ₂ [mm]	A [mm]	B [mm]	C [mm]	PN [bar]
1070020000001	20x20	50	161	54	57	50	51	68	16
1070025000001	25x25	59	180	57	64	60	60	76	16
1070032000001	32x32	67	201	64	70	68	67	89	16
1070040000001	40x40	74	246	82	90	80	77	100	16
1070050000001	50x50	84	274	94	96	95	88	116	16
1070064000001	63x63	103	342	113	126	116	100	127	16

CODE 1071



Compression ball valve female threaded - Druckkugelhahn Innengewinde - Компрессионный шаровой клапан с внутренней резьбой



CODE	d [mm]	g [inch]	Z [mm]	L [mm]	I [mm]	H [mm]	A [mm]	B [mm]	C [mm]	PN [bar]
1071020002001	20	1/2"	55	126	54	17	50	51	68	16
1071025003001	25	3/4"	68	143	57	18	60	60	76	16
1071032004001	32	1"	71	156	64	21	68	67	89	16
1071040005001	*40	1"1/4	80	186	82	24	80	77	100	16
1071050006001	*50	1"1/2	94	212	94	24	95	88	116	16
1071064007001	*63	2"	111	251	113	27	116	100	127	16

*The threaded end is reinforced with a stainless steel ring
 *Die Gewindemündung wird durch einen Edelstahlring verstärkt.
 *Резьбовой вход укреплен кольцом из н/ж стали