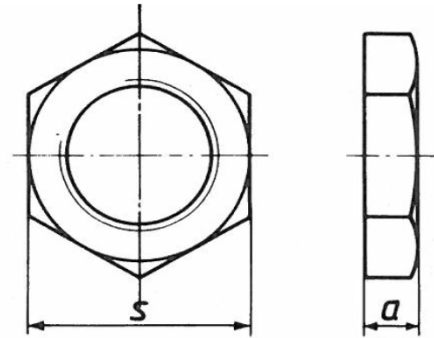


## 312 – ISO/EN P4

a

DN 10	3/8"	7
DN 15	1/2"	8
DN 20	3/4"	9
DN 25	1"	10
DN 32	1 1/4"	11
DN 40	1 1/2"	12
DN 50	2"	13
DN 65	2 1/2"	16
DN 80	3"	19
DN 100	4"	



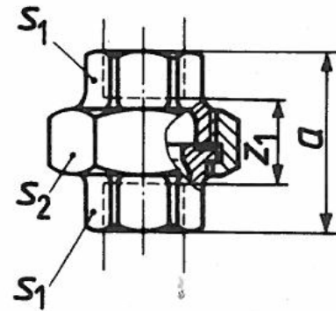
## 330 – ISO/EN U1

a

z1

DN 10	3/8"	45
DN 15	1/2"	48
DN 20	3/4"	52
DN 25	1"	58
DN 32	1 1/4"	65
DN 40	1 1/2"	70
DN 50	2"	78
DN 65	2 1/2"	85

25
22
22
24
27
32
30
31



## 331 – ISO/EN U2

b

z2

DN 10	3/8"	
DN 15	1/2"	58
DN 20	3/4"	66
DN 25	1"	72
DN 32	1 1/4"	80
DN 40	1 1/2"	90
DN 50	2"	95

48
53
57
63
71
76

