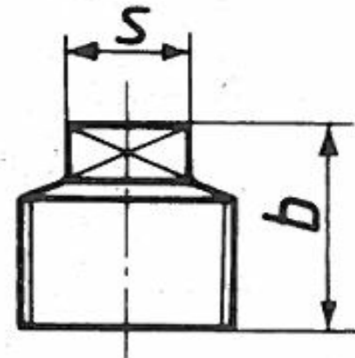


291 – ISO/EN T8

b

DN 6	1/8"	11
DN 8	1/4"	14
DN 10	3/8"	15
DN 15	1/2"	18
DN 20	3/4"	20
DN 25	1"	23
DN 32	1 1/4"	29
DN 40	1 1/2"	30
DN 50	2"	36
DN 65	2 1/2"	39
DN 80	3"	44
DN 100	4"	58



300 – ISO/EN T1

a

DN 6	1/8"	13
DN 8	1/4"	15
DN 10	3/8"	17
DN 15	1/2"	19
DN 20	3/4"	22
DN 25	1"	24
DN 32	1 1/4"	27
DN 40	1 1/2"	27
DN 50	2"	32
DN 65	2 1/2"	35
DN 80	3"	38
DN 100	4"	45



310 – ISO/EN P4

a

DN 8	1/4"	6
DN 10	3/8"	7
DN 15	1/2"	8
DN 20	3/4"	9
DN 25	1"	10
DN 32	1 1/4"	11
DN 40	1 1/2"	12
DN 50	2"	13

