

Bemaßung Tempergussfittings

Stand 04.03.15

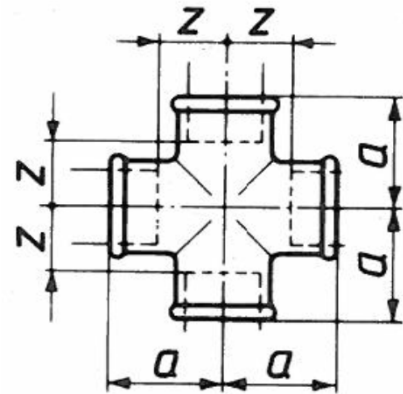
180-ISO/EN C1

a

z

DN 8	1/4"	21
DN 10	3/8"	25
DN 15	1/2"	28
DN 20	3/4"	33
DN 25	1"	38
DN 32	1 1/4"	45
DN 40	1 1/2"	50
DN 50	2"	58
DN 65	2 1/2"	69
DN 80	3"	78
DN 100	4"	96

11
15
15
18
21
26
31
34
42
48
60



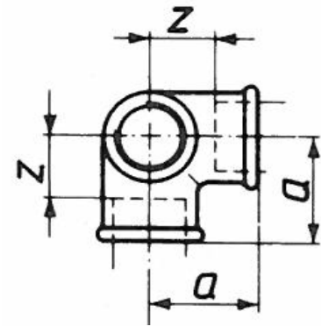
221-ISO/EN Za1

a

z

DN 10	3/8"	25
DN 15	1/2"	28
DN 20	3/4"	33
DN 25	1"	38
DN 32	1 1/4"	45
DN 40	1 1/2"	50
DN 50	2"	58

15
15
18
21
26
31
34



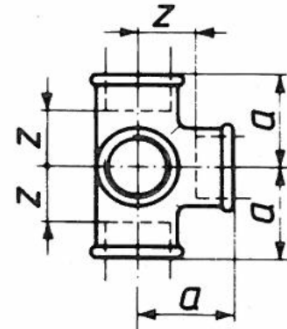
223-ISO/EN Za2

a

z

DN 15	1/2"	28
DN 20	3/4"	33
DN 25	1"	38

15
18
21



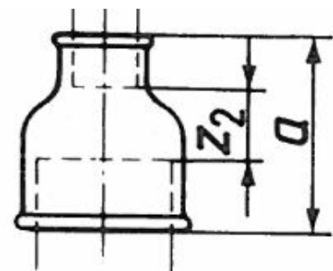
240 - ISO/EN M2

a

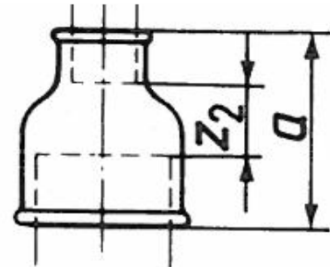
z2

DN 8 x 6 (1/4"x1/8")	27
DN 10 x 6 (3/8"x1/8")	30
DN 10 x 8 (3/8"x1/4")	30
DN 15 x 8 (1/2"x1/4")	36
DN 15 x 10 (1/2"x3/8")	36
DN 20 x 8 (3/4"x1/4")	39
DN 20 x 10 (3/4"x3/8")	39
DN 20 x 15 (3/4"x1/2")	39
DN 25 x 10 (1"x3/8")	45
DN 25 x 15 (1"x1/2")	45

10
13
10
13
13
14
14
11
18
15



DN 25 x 20 (1"x3/4")	45	13
DN 32 x 10 (1 1/4"x3/8")		
DN 32 x 15 (1 1/4"x1/2")	50	18
DN 32 x 20 (1 1/4"x3/4")	50	16
DN 32 x 25 (1 1/4"x1")	50	14
DN 40 x 15 (1 1/2"x1/2")	55	23
DN 40 x 20 (1 1/2"x3/4")	55	21
DN 40 x 25 (1 1/2"x1")	55	19
DN 40 x 32 (1 1/2"x1 1/4")	55	17
DN 50 x 15 (2"x1/2")	65	28
DN 50 x 20 (2"x3/4")	65	26
DN 50 x 25 (2"x1")	65	24
DN 50 x 32 (2"x1 1/4")	65	22
DN 50 x 40 (2"x1 1/2")	65	22
DN 65 x 25 (2 1/2"x1")		
DN 65 x 50 (2 1/2"x2")	74	23
DN 80 x 50 (3"x2")	80	26
DN 80 x 65 (3"x2 1/2")	80	23
DN 100 x 80 (4"x3")	94	28



241 – ISO/EN N4

a	b	Form	z
---	---	------	---

DN 8 x 6 (1/4"x1/8")	20		I	13
DN 10 x 6 (3/8"x1/8")	20		II	13
DN 10 x 8 (3/8"x1/4")	20		I	10
DN 15 x 8 (1/2"x1/4")	24		II	14
DN 15 x 10 (1/2"x3/8")	24		I	14
DN 20 x 8 (3/4"x1/4")	26		II	16
DN 20 x 10 (3/4"x3/8")	26		II	16
DN 20 x 15 (3/4"x1/2")	26		I	13
DN 25 x 8 (1"x1/4")	29		II	19
DN 25 x 10 (1"x3/8")	29		II	19
DN 25 x 15 (1"x1/2")	29		II	16
DN 25 x 20 (1"x3/4")	29		I	14
DN 32 x 10 (1 1/4"x3/8")	31		II	21
DN 32 x 15 (1 1/4"x1/2")	31		II	18
DN 32 x 20 (1 1/4"x3/4")	31		II	16
DN 32 x 25 (1 1/4"x1")	31		I	14
DN 40 x 10 (1 1/2"x3/8")	31		II	21
DN 40 x 15 (1 1/2"x1/2")	31		II	18
DN 40 x 20 (1 1/2"x3/4")	31		II	16
DN 40 x 25 (1 1/2"x1")	31		II	14
DN 40 x 32 (1 1/2"x1 1/4")	31		I	12
DN 50 x 15 (2"x1/2")	35	48	III	35
DN 50 x 20 (2"x3/4")	35	48	III	33
DN 50 x 25 (2"x1")	35		II	18

