

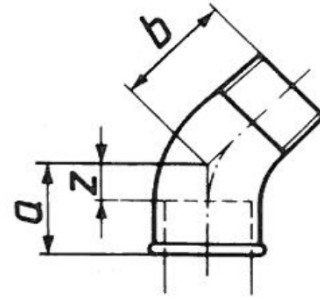
Bemaßung Tempergussfittings

Stand 04.03.15

121-ISO/EN A4 45°

	a	b
DN 10 3/8"	20	25
DN 15 1/2"	22	28
DN 20 3/4"	25	32
DN 25 1"	28	37
DN 32 1 1/4"	33	43
DN 40 1 1/2"	38	46
DN 50 2"	43	55

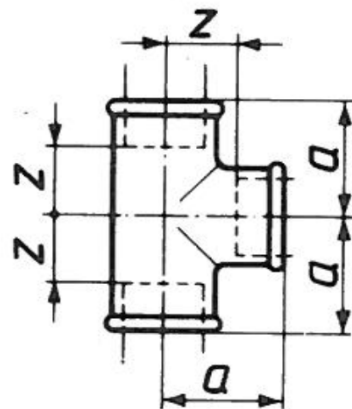
z
10
9
10
11
14
17
19



130-ISO/EN B1

	a
DN 6 1/8"	19
DN 8 1/4"	21
DN 10 3/8"	25
DN 15 1/2"	28
DN 20 3/4"	33
DN 25 1"	38
DN 32 1 1/4"	45
DN 40 1 1/2"	50
DN 50 2"	58
DN 65 2 1/2"	69
DN 80 3"	78
DN 100 4"	96

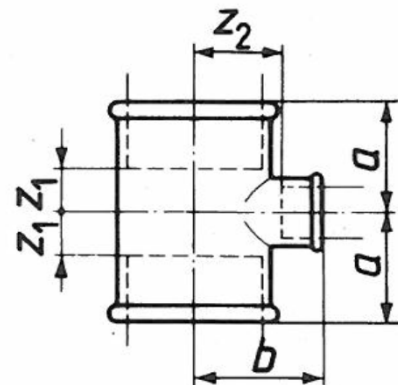
z
12
11
15
15
18
21
26
31
34
42
48
60



130-ISO/EN B1

	a	b
DN 15 x 10 (1/2"x3/8")	26	26
DN 20 x 10 (3/4"x3/8")	28	28
DN 20 x 15 (3/4"x1/2")	30	31
DN 25 x 15 (1"x1/2")	32	34
DN 25 x 20 (1"x3/4")	35	36
DN 32 x 15 (1 1/4"x1/2")	34	38
DN 32 x 20 (1 1/4"x3/4")	36	41
DN 32 x 25 (1 1/4"x1")	40	42
DN 40 x 15 (1 1/2"x1/2")	36	42
DN 40 x 20 (1 1/2"x3/4")	38	44
DN 40 x 25 (1 1/2"x1")	42	46
DN 40 x 32 (1 1/2"x1 1/4")	46	48
DN 50 x 15 (2"x1/2")	38	48
DN 50 x 20 (2"x3/4")	34	50
DN 50 x 25 (2"x1")	44	52
DN 50 x 32 (2"x1 1/4")	48	54
DN 50 x 40 (2"x1 1/2")	52	55
DN 65 x 40 (2 1/2"x1 1/2")	55	63
DN 65 x 50 (2 1/2"x2")	61	66

z1	z2
13	16
13	18
15	18
15	21
18	21
15	25
17	26
21	25
17	29
19	29
23	29
27	29
14	35
16	35
20	35
24	35
28	36
28	44
34	42



Bemaßung Tempergussfittings

Stand 04.03.15

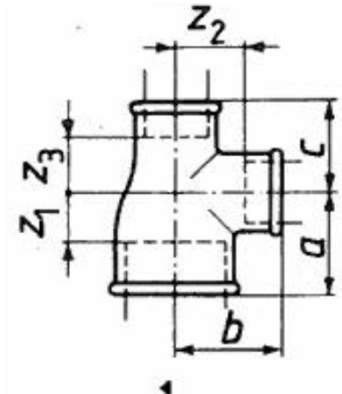
DN 80 x 40 (3"x1 1/2")	58	71
DN 80 x 50 (3"x2")	64	73
DN 80 x 65 (3"x2 1/2")	72	76
130 DN 100 x 80 (4"x3")	84	92

28	52
34	49
42	49
48	62

130-ISO/EN B1

a	b	c	z1	z2	z3
---	---	---	----	----	----

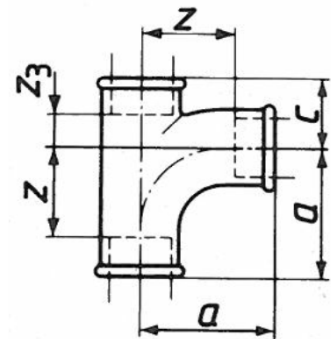
DN 15 x 15 x 10 (1/2"x1/2"x3/8")	28	28	26	15	15	16
DN 15 x 20 x 15 (1/2"x3/4"x1/2")	31	30		18	15	
DN 20 x 15 x 15 (3/4"x1/2"x1/2")	30	31	28	15	18	15
DN 20 x 20 x 15 (3/4"x3/4"x1/2")	33	33	31	18	18	18
DN 20 x 25 x 20 (3/4"x1"x3/4")	36	35		21	18	
DN 25 x 15 x 15 (1"x1/2"x1/2")	32	34	28	15	21	15
DN 25 x 15 x 20 (1"x1/2"x3/4")	32	34	30	15	21	15
DN 25 x 20 x 15 (1"x3/4"x1/2")	35	36	31	18	21	18
DN 25 x 20 x 20 (1"x3/4"x3/4")	35	36	33	18	21	18
DN 25 x 25 x 15 (1"x1"x1/2")	38	38	34	21	21	21
DN 25 x 25 x 20 (1"x1"x3/4")	38	38	36	21	21	21
DN 32 x 25 x 25 (1 1/4"x1"x1")	40	42	38	21	25	21
DN 32 x 32 x 25 (1 1/4"x1 1/4"x1")	45	45	42	26	26	25
DN 40 x 40 x 32 (1 1/2"x1 1/2"x1 1/4")	50	50	48	31	31	29



131-ISO/EN E1

a	b	z	z3
---	---	---	----

TF v Bogen T 131 DN 15 (1/2")	45	24	32	11
TF v Bogen T 131 DN 20 (3/4")	50	28	35	13
TF v Bogen T 131 DN 25 (1")	63	33	46	16
TF v Bogen T 131 DN 32 (1 1/4")	76	40	57	21
TF v Bogen T 131 DN 40 (1 1/2")	85	43	66	24
TF v Bogen T 131 DN 50 (2")	102	53	78	29



132-ISO/EN E2

a	z
---	---

TF v Bogen T 131 DN 15 (1/2")	45	32
TF v Bogen T 131 DN 20 (3/4")	50	35
TF v Bogen T 131 DN 25 (1")	63	46
TF v Bogen T 131 DN 32 (1 1/4")	76	57
TF v Bogen T 131 DN 40 (1 1/2")	85	66
TF v Bogen T 131 DN 50 (2")	102	78

