

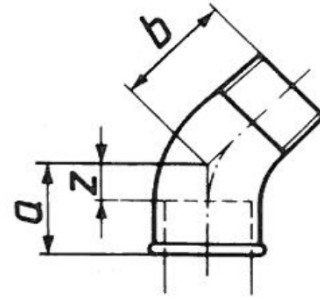
Bemaßung Tempergussfittings

Stand 04.03.15

121-ISO/EN A4 45°

		a	b
DN 10	3/8"	20	25
DN 15	1/2"	22	28
DN 20	3/4"	25	32
DN 25	1"	28	37
DN 32	1 1/4"	33	43
DN 40	1 1/2"	38	46
DN 50	2"	43	55

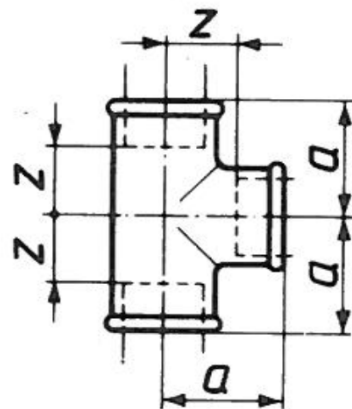
z
10
9
10
11
14
17
19



130-ISO/EN B1

		a
DN 6	1/8"	19
DN 8	1/4"	21
DN 10	3/8"	25
DN 15	1/2"	28
DN 20	3/4"	33
DN 25	1"	38
DN 32	1 1/4"	45
DN 40	1 1/2"	50
DN 50	2"	58
DN 65	2 1/2"	69
DN 80	3"	78
DN 100	4"	96

z
12
11
15
15
18
21
26
31
34
42
48
60



130-ISO/EN B1

		a	b
DN 15 x 10	(1/2"x3/8")	26	26
DN 20 x 10	(3/4"x3/8")	28	28
DN 20 x 15	(3/4"x1/2")	30	31
DN 25 x 15	(1"x1/2")	32	34
DN 25 x 20	(1"x3/4")	35	36
DN 32 x 15	(1 1/4"x1/2")	34	38
DN 32 x 20	(1 1/4"x3/4")	36	41
DN 32 x 25	(1 1/4"x1")	40	42
DN 40 x 15	(1 1/2"x1/2")	36	42
DN 40 x 20	(1 1/2"x3/4")	38	44
DN 40 x 25	(1 1/2"x1")	42	46
DN 40 x 32	(1 1/2"x1 1/4")	46	48
DN 50 x 15	(2"x1/2")	38	48
DN 50 x 20	(2"x3/4")	34	50
DN 50 x 25	(2"x1")	44	52
DN 50 x 32	(2"x1 1/4")	48	54
DN 50 x 40	(2"x1 1/2")	52	55
DN 65 x 40	(2 1/2"x1 1/2")	55	63
DN 65 x 50	(2 1/2"x2")	61	66

z1	z2
13	16
13	18
15	18
15	21
18	21
15	25
17	26
21	25
17	29
19	29
23	29
27	29
14	35
16	35
20	35
24	35
28	36
28	44
34	42

