

Th/OL 27.09.2012

inter BÄR GmbH + Co. KG, Hälverstr. 43, 58579 Schalksmühle, Tel. 02355/893-0, FAX 02355/893-190
Person in charge: Robert Thieltges 893-130

Technical data sheet

Article - Description

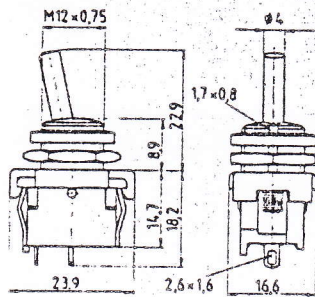
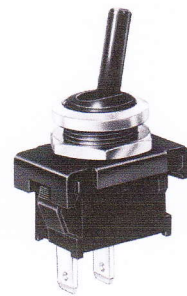
Toggle Switch Type 8400

6 (4) A, 250 V, 1-pole

for devices of protection class II

central fitting M 12 x 0,75 mm
screwed on hexagon nut and knurled nut,
thermoplastic toggle and housing,
silver contacts, silver coated terminals

Article - Picture

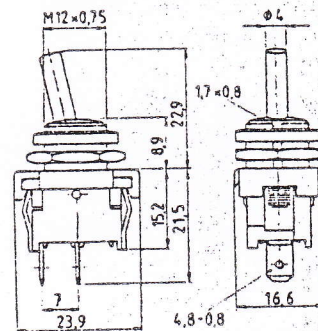


 solder terminals

8400-005.02



faston



8400-007.02

inter BÄR-item no.	Version	
8400-005.02	on-off switch,	solder terminals
8400-007.02	on-off switch,	faston
8400-011.02	change-over switch,	solder terminals
8400-013.02	change-over switch,	faston