

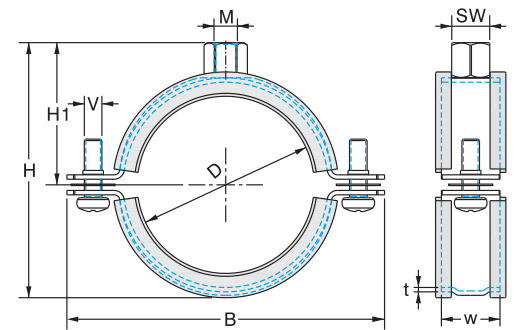
Two Screws Pipe Clamp W/ Lining, Traditional Type

Advantages / Benefits

- Suitable for fixing of drinking and heating water pipe lines.
- **Tried and trusted clamp in a two piece design.**
- The two lock bolts allow adjustment to accommodate varying pipe diameters.
- Lock screw with captive plastic washer to prevent loss.
- Combination connecting thread for cost-effective warehousing and flexibility at the construction site.
- Solid design with reinforcement band rib.
- Strong sound insulation insert for firm fit.

Technical Data

- Material: Steel 1.0332 acc. to DIN EN 10111
- Zinc plating: Electro zinc plated, 8–12 μm
- Sound absorption lining: EPDM; chlorine-free; silicone-free
- Noise reduction: According to DIN 4109
- Temperature resistance: -50°C to $+110^{\circ}\text{C}$
- EPDM hardness: $45^{\circ} \pm 5^{\circ}$ Shore-A
- Fire behaviour: Class B2 according to DIN 4102



Article Number	Clamping Range D		Connecting Thread	Dimensions in mm						Pack Size (pcs)	Max. Rec. Load (N)
	mm	inch		w x t	B	H	H1	SW	V		
89 023 48	12-14	1/4	M8	20x1,5	56	39	25	13	M6x20	150	1500
89 023 49	15-20	3/8	M8	20x1,5	60	44	28	13	M6x20	150	1500
89 023 50	20-23	1/2	M8	20x1,5	65	48	30	13	M6x20	100	1500
89 023 51	25-28	3/4	M8	20x1,5	70	53	32	13	M6x20	100	1500
89 023 52	32-35	1	M8	20x1,5	77	60	36	13	M6x20	100	1500
89 023 53	40-46	1 1/4	M8	20x1,5	88	71	41	13	M6x20	50	1500
89 023 54	48-53	1 1/2	M8	20x2,0	100	80	46	13	M6x25	50	1800
89 023 55	59-62	2	M8/M10	20x2,0	110	94	55	13	M6x25	50	1800
89 023 56	63-67	-	M8/M10	20x2,0	115	99	58	13	M6x25	50	1800
89 023 57	70-73	-	M8/M10	20x2,0	121	105	61	13	M6x25	50	1800
89 023 58	74-80	2 1/2	M8/M10	20x2,0	128	112	64	13	M6x25	50	1800
89 023 59	83-91	3	M8/M10	20x2,0	139	123	70	13	M6x25	50	1800
89 023 60	101-106	-	M8/M10	23x2,5	162	140	78	13	M6x25	25	2500
89 023 61	108-114	4	M8/M10	23x2,5	168	150	83	17	M8x25	25	2500