

Technical data sheet

Chuck jaw, heavy-duty TKS

Item no. 6355800



Heavy-duty chuck jaw with hexagonal nut for direct fastening of structures to steel girders.



St	Steel
FT	Hot-dip galvanised

Additional product text, instruction | The clamping range of the chuck jaw is limited to the maximum fastening thickness, 30 mm.

Master data

Item no.	6355800
Type	TKS-S-30 FT
Description 1	Tensioning claw, heavy
Description 2	with combination nut
Dimension	M12x75
Material	Steel
Material symbol	St
Surface	Hot-dip galvanised
Surface to DIN	DIN EN ISO 1461
Surface symbol	FT
Smallest sales unit (VG)	10,00 Pair
Weight	84,00 kg/100 pairs

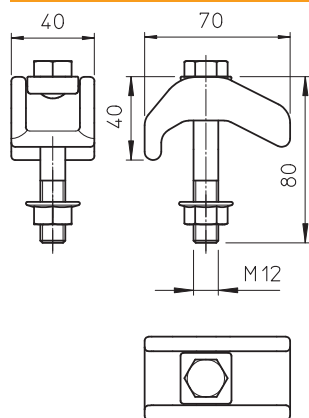
Technical data sheet

Chuck jaw, heavy-duty TKS

Item no. 6355800



Technical data



Height	30,00 mm
Suitable for flange thickness	20,00 - 30,00 mm
Thread size M	12,00
F in kN	21,00 kN
F in N	21.000,00 N
Bolt	M12 x 75